



opsun
 1000 W. 10th St.
 Suite 100
 Phoenix, AZ 85001
 Phone: 602.998.2222
 Fax: 602.998.2223
 Email: opsun@opsun.com

Notes
 1. This drawing is a computer-generated rendering of a proposed solar array installation. It is not a photograph of an existing installation.
 2. The solar array is shown in blue for identification purposes only. The actual array will be a different color.
 3. The solar array is shown in a simplified manner. The actual array will be a more complex structure.
 4. The solar array is shown in a simplified manner. The actual array will be a more complex structure.
 5. The solar array is shown in a simplified manner. The actual array will be a more complex structure.

Note

NOT FOR CONSTRUCTION

Revision

| Rev # | By | Date |
|-------|--------------|-----------|
| 01 | MS/SP/PO/JCH | 3/20/2011 |
| 02 | ENH/SE | |

Array Information

Type of Mounting:
 SRUPP
 Panel Model:
 PRECOS VSMCHL72-AAAUS
 Tilt Angle : 10°
 Panel Qty : 254
 DC Size : 116.2 kW

Customer Info

JD Solar
 Phone: 800.556.9793
 Email: jdsolar@gmail.com

Project Info

Project Name:
 Metro B5
 Project Number:
 SDE 200512-1
 Project Address:
 470 Hopmeadow
 St. Greenbury, CT

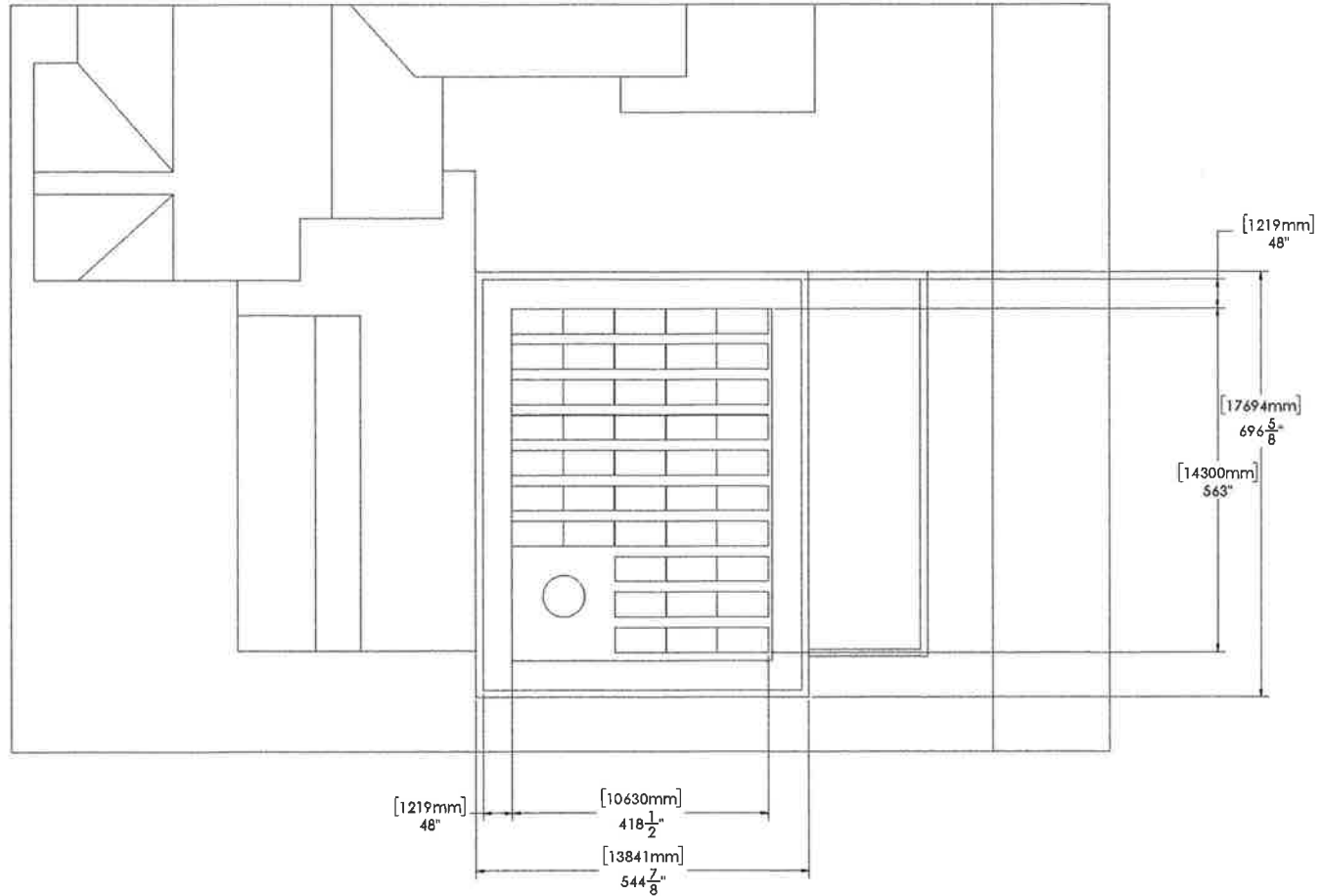
Yes
 PRESENTATION

| Drawn By: | Checked By: |
|------------|-------------|
| MS/EN | LA |
| Date/Date: | Rev: |
| 22/02/11 | 02 |
| Scale: | Page: |
| 1:1125 | P01/001 |

| PROJECT | ITEM NO | PART NUMBER | DESCRIPTION | SHEET NAME Fig. | DATE DATE | REV. REV. | QTY. | MATERIAL |
|------------|---------|-------------|---|--------------------|--------------|--------------|------|----------|
| OPV Panels | 1 | VSD4 | VERMONT PV ARRAY MOUNTING BRACKET SYSTEM 2 VERMONT 48" MOUNT | 23300 | 11133 | 04543 | 44 | STD |

opsun
 OP-SUN ENERGY INC.
 1000 W. 10th St. Suite 100
 Denver, CO 80202
 Phone: 303.733.1111
 Email: info@opsun.com
 www.opsun.com

Notes:
 1. All dimensions are in millimeters unless otherwise specified.
 2. All dimensions are to the center of the hole or feature unless otherwise specified.
 3. All dimensions are to the maximum extent of the feature unless otherwise specified.
 4. All dimensions are to the minimum extent of the feature unless otherwise specified.
 5. All dimensions are to the nominal value unless otherwise specified.
 6. All dimensions are to the actual value unless otherwise specified.
 7. All dimensions are to the theoretical value unless otherwise specified.
 8. All dimensions are to the manufacturing tolerance unless otherwise specified.
 9. All dimensions are to the drawing tolerance unless otherwise specified.
 10. All dimensions are to the assembly tolerance unless otherwise specified.



Note

TOP FOR CONSTRUCTION

Revision

| Rev# | By | Date |
|------|---------------------------|------------|
| 02 | SP1 STATE POSITION CHANGE | 2020-02-23 |

Array Information

Type of Mounting: RAIL-UP
 Panel Model: PREXOS VEMDHT.72.AAAA.05
 Tilt Angle: 10°
 Panel Qty: 24
 DC Size: 114.2 kW

Customer Info

JD Solar
 Phone: 860-766-9701
 Email: jds@jdsolar.com

Project Info

Project Name: Metro B5
 Project Number: JDE 200812-1
 Project Address: 670 Hopwood St. Embassy, CT

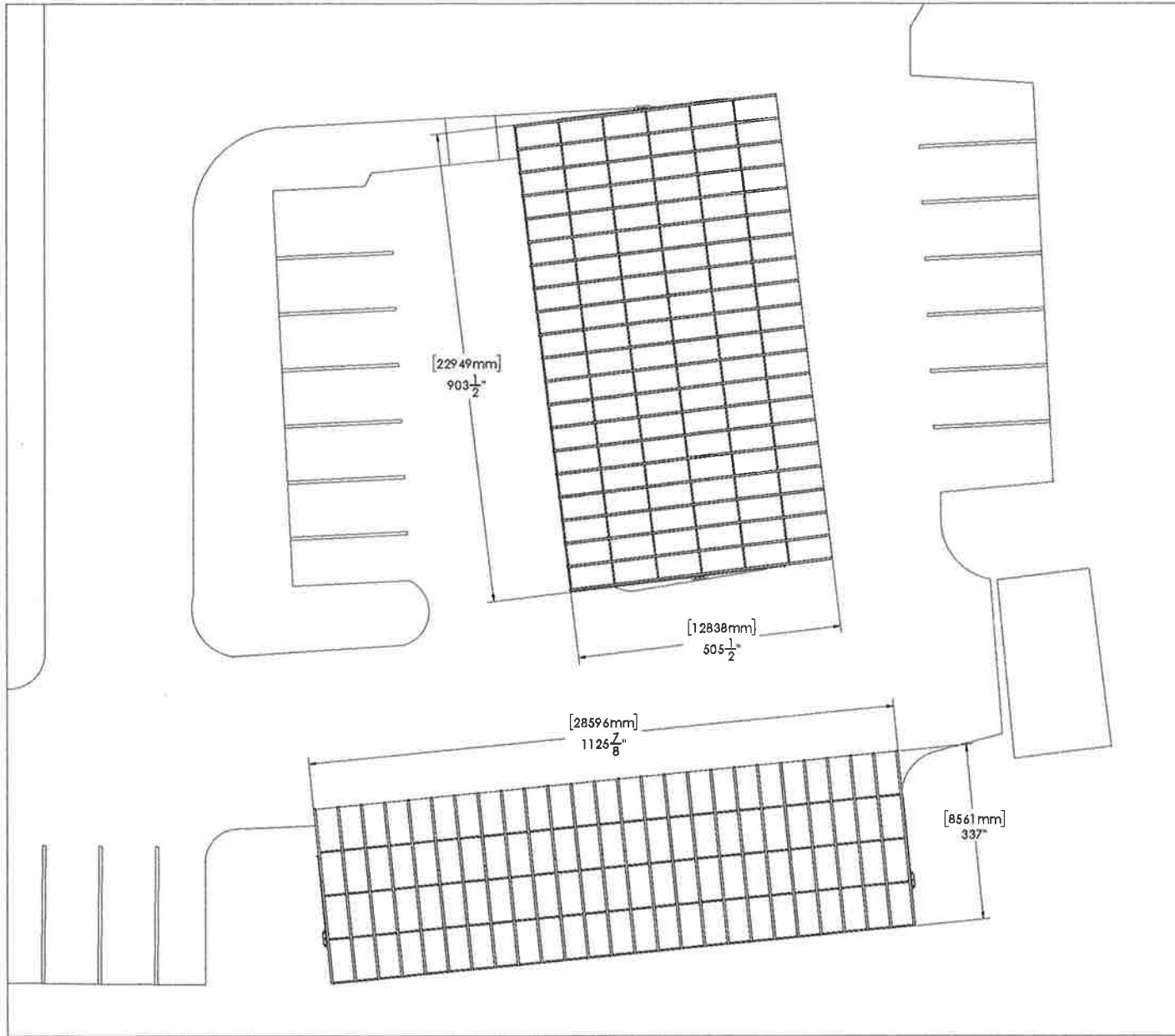
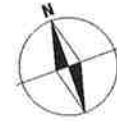
Scale: TOP ELEVATION FR

| Drawn By: | Checked By: |
|-------------|-------------|
| SKD | LA |
| Drawn Date: | Rev: |
| 23/02/21 | 02 |
| Scale: | Page: |
| 1:100 | PV1_202 |

| PROJECT | ITEM NO. | PART NUMBER | DESCRIPTION | UNIT QTY | UNIT PRICE | TOTAL | QTY. | AMOUNT |
|---------------|----------|-------------|--|----------|------------|---------|------|---------|
| 00- PV Panels | 1 | VPC04 | 1 DUHRE P7 AAA 156 Modules Solar PHOTOVOLTAIC 6.5 KW/1000 400mm | 11300 | 57.660 | 12310.9 | 220 | 12310.9 |

opsun
 10000 Route 100, Suite 100
 Columbia, Maryland 21046
 Phone: (410) 528-8888
 Fax: (410) 528-8889

Notice
 This drawing is the property of Opsun Solar, Inc. and is to be used only for the project and location specified. It is not to be reproduced, copied, or distributed without the written consent of Opsun Solar, Inc. Opsun Solar, Inc. is not responsible for any errors or omissions in this drawing. The user of this drawing is advised to verify all dimensions and specifications before construction.



Note

NOT FOR CONSTRUCTION

Revision

| Rev# | Revised by | Date |
|------|------------|------------|
| 02 | JTS | 05/04/2010 |
| 01 | CHANGE | |

Array Information

Type of Mounting:
 SRU-AP
 Panel Model:
 P7-156-60-12-AAA-55
 Tilt Angle : 10°
 Panel Qty : 264
 DC Size : 116.2 KW

Customer Info

JD Solar
 Phone: (410) 528-1701
 Email: jts@jdsolar.com

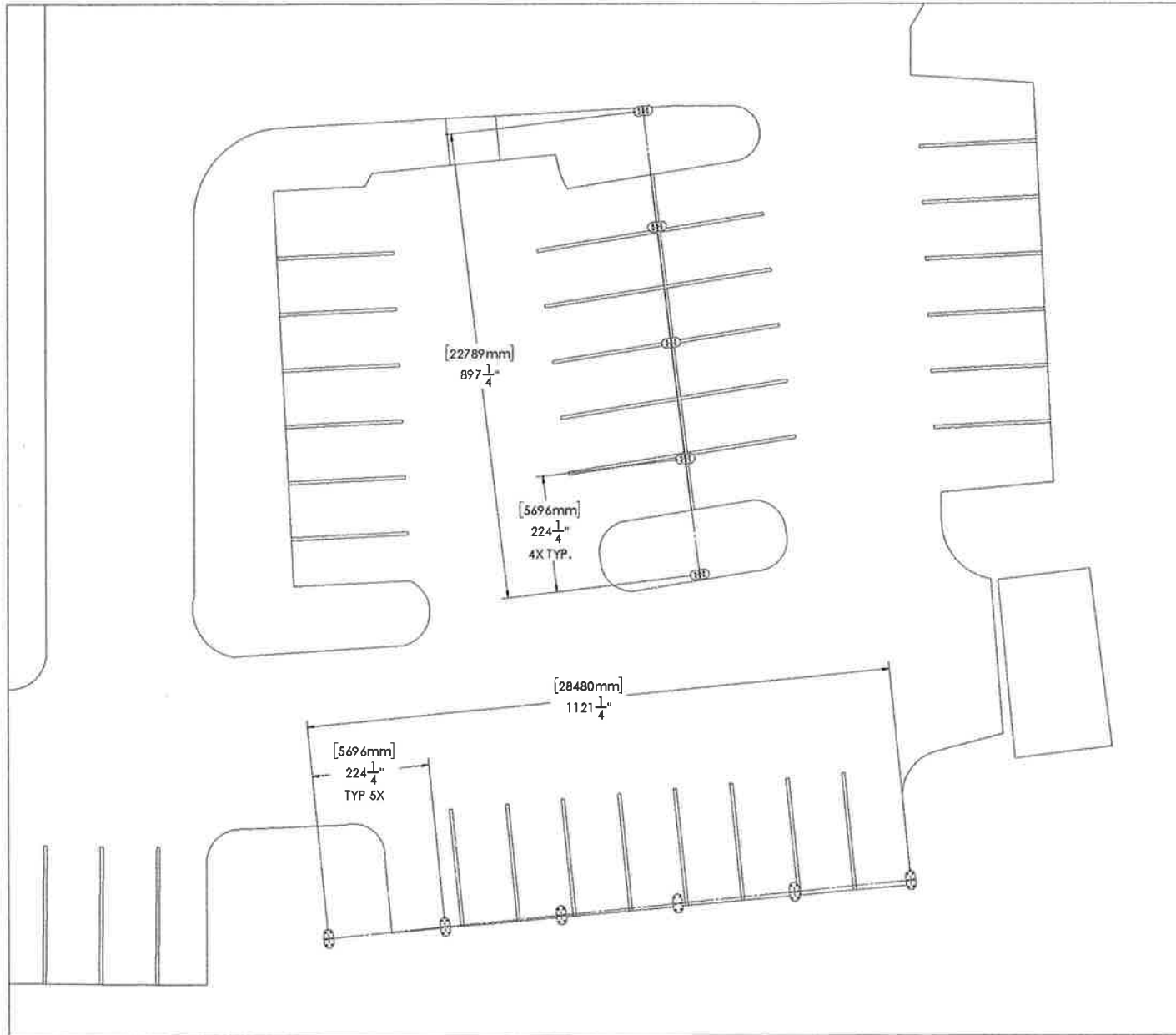
Project Info

Project Name:
 Metro 616
 Project Number:
 JDE-200612-1
 Project Address:
 494 Hopmeadow
 St. Strabury, CT

Site:
 TOP ELEVATION SP

Drawn By: JPE
 Design Date: 2/22/11
 Scale: 1/100
 Checked By: LA
 Rev: 02
 Page: FV1.203

| PROJECT | REV. NO. | PART NUMBER | DESCRIPTION | UNIT MASS (kg) | AVG. MASS (kg) | AVG. DIM. (mm) | QTY. | MATERIAL |
|---------|----------|---------------|---------------------|----------------|----------------|----------------|------|----------|
| 04-0268 | 1 | CF-Foundation | Concrete Foundation | 9.000 | 8.5 | 8.8 | 18 | Concrete |



Note

NOT FOR CONSTRUCTION

Revision

| Rev # | Reason | Date |
|-------|----------------------------|------------|
| 01 | SP1 SQUARE POSITION CHANGE | 2008-03-28 |

Array Information

Type of Mounting:
SESHIP
Panel Model:
PREXOS VSM0HT-J2-AAA-06
Tilt Angle : 10°
Panel Qty : 284
DC Size : 116.2 kW

Customer Info

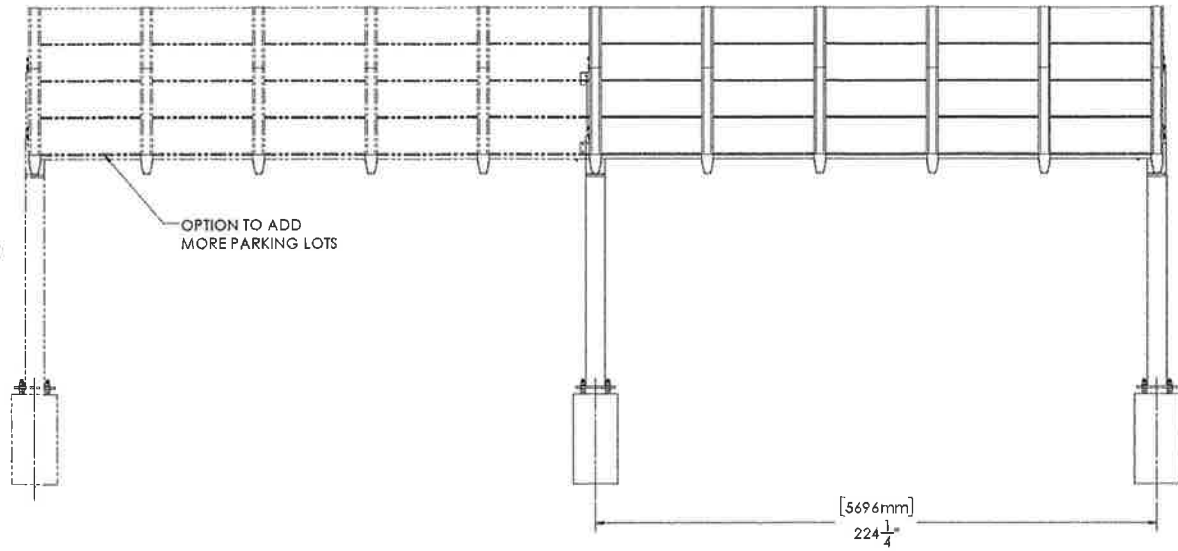
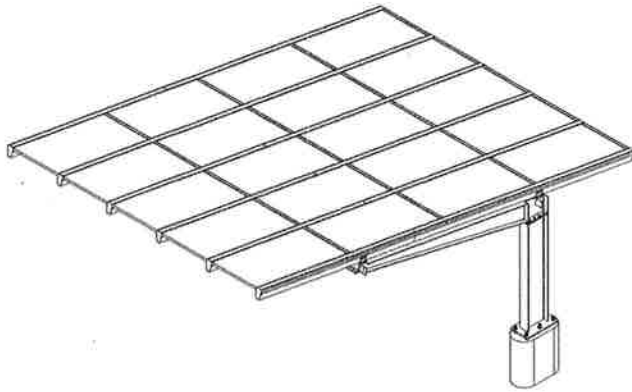
JD Solar
Phone: 860-765-9701
Email: jms@reolac@gmail.com

Project Info

Project Name: Metro 88
Project Number: JDC-200812.1
Project Address:
690 Hopmeadow
St. Strabury, CT

Site: TOP ELEVATION SP FOUNDATIONS

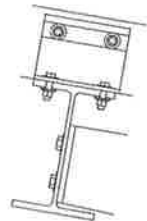
| Drawn By: | Checked By: |
|-------------|-------------|
| JLD | LA |
| Drawn Date: | Rev: |
| 23/02/21 | 02 |
| Scale: | Page: |
| 1:100 | PV1_204 |



Note

NOT FOR CONSTRUCTION

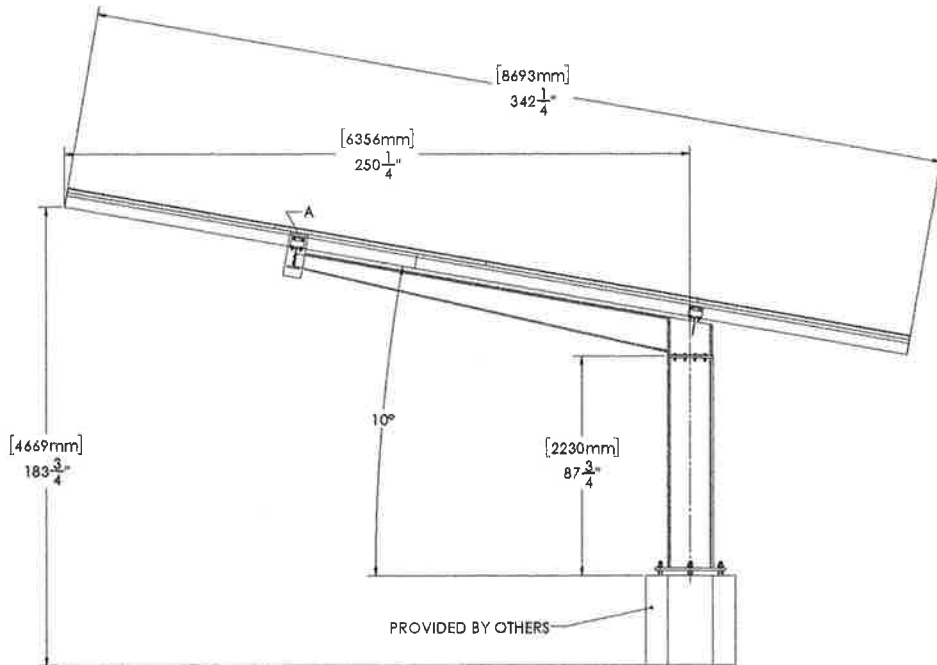
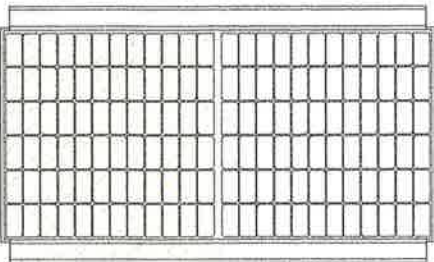
Revision
 Rev# 01 Rev# 02
 Description
 SPLIT SHAPE PORTION CHANGE



DETAIL A
 SCALE 1 : 4

PV PANEL SPECIFICATIONS

MANUFACTURER : Vikram Solar
 MODEL: PREXOS-VSMDHT.72.aaa.05
 MASS: 25.3 KG (55.7 lb)
 MAXIMUM MECHANICAL LOAD PRESSURE: 5.4 kPa / -2.4 kPa
 DIMENSION (LxWxH) : 2118x1050x40mm (83.38x41.33x1.57In)



Array Information

Type of Mounting:
 STRUT
 Panel Model:
 PREXOS VSMDHT.72.AAA.05
 Tilt Angle : 10°
 Panel Qty : 24
 DC Size : 116.2 KW

Customer Info

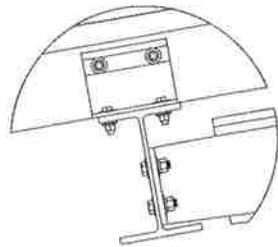
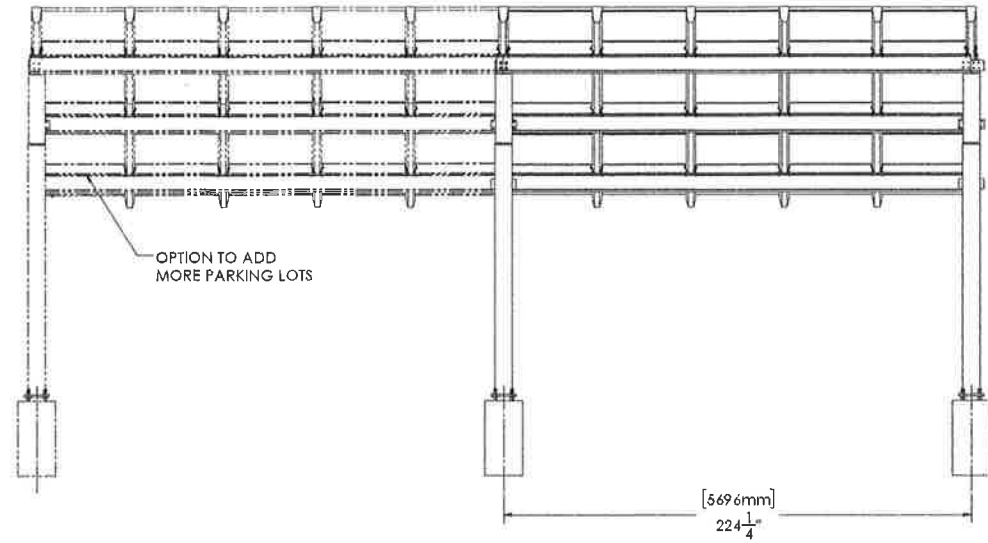
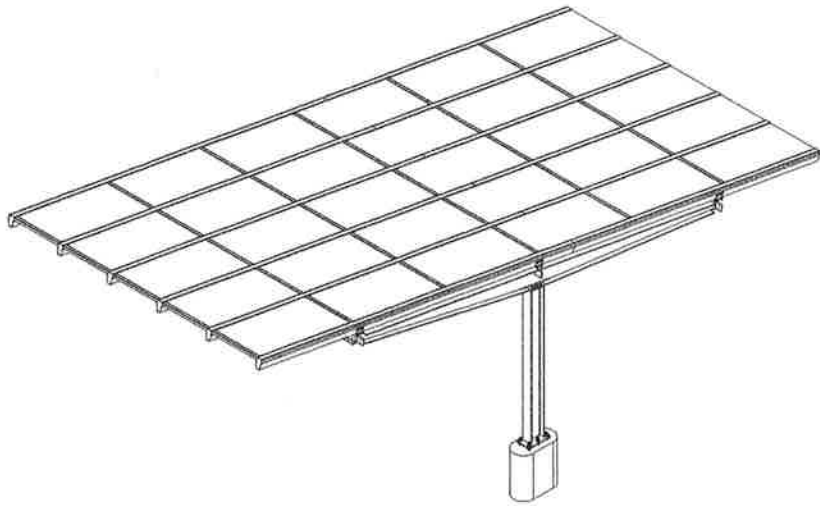
JD Solar
 Phone: 860-966-9701
 Email: jdsolarsola@gmail.com

Project Info

Project Name: Shalloo 5k
 Project Number: JDE-200512-1
 Project Address:
 690 Hippomeadow
 St. Serenity, CT

Title: SYSTEM DETAILS SP-LU

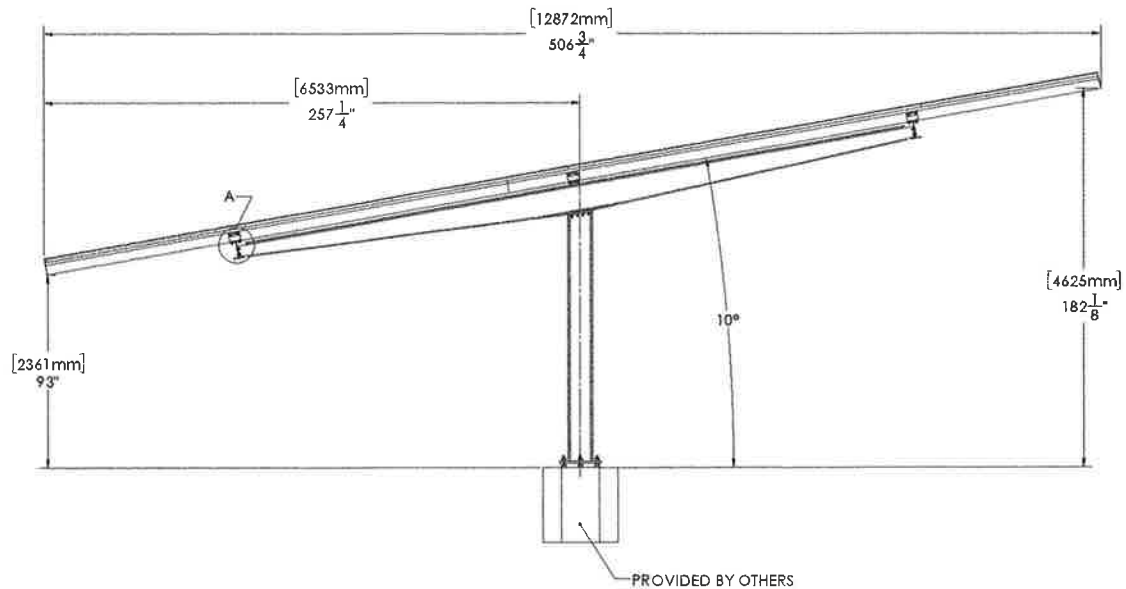
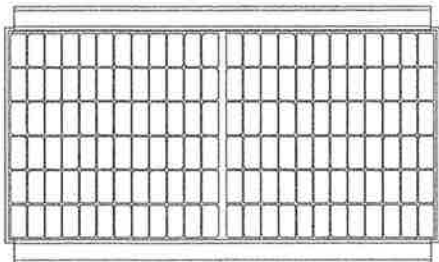
Drawn By: [Signature] Check By: LA
 Drawn Date: 23/02/21 Rev: 02
 Scale: Page: PV 1.206
 1/25



DETAIL A
SCALE 1 : 4

PV PANEL SPECIFICATIONS

MANUFACTURER : Vikram Solar
 MODEL: PREXOS-VSMDHT.72.aaa.05
 MASS: 25.3 KG (55.7 lb)
 MAXIMUM MECHANICAL LOAD PRESSURE: 5.4 kPa / -2.4 kPa
 DIMENSION (LxWxH) : 2118x1050x40mm (83.38x41.33x1.57in)



Note

NOTICE OF CONSTRUCTION

Revision

| Rev # | Rev | Date |
|-------|---------------------------|------------|
| 07 | SP1 SHARE POSITION CHANGE | 2020-03-23 |

Array Information

Type of Mounting: SRU-HP
 Panel Model: PREXOS-VSMDHT.72.AAA.05
 Tilt angle: 10°
 Panel Qty: 264
 DC Size: 118.2 KW

Customer Info

JD Solar
 Phone: 800.956.7709
 Email: jdsolarco@gmail.com

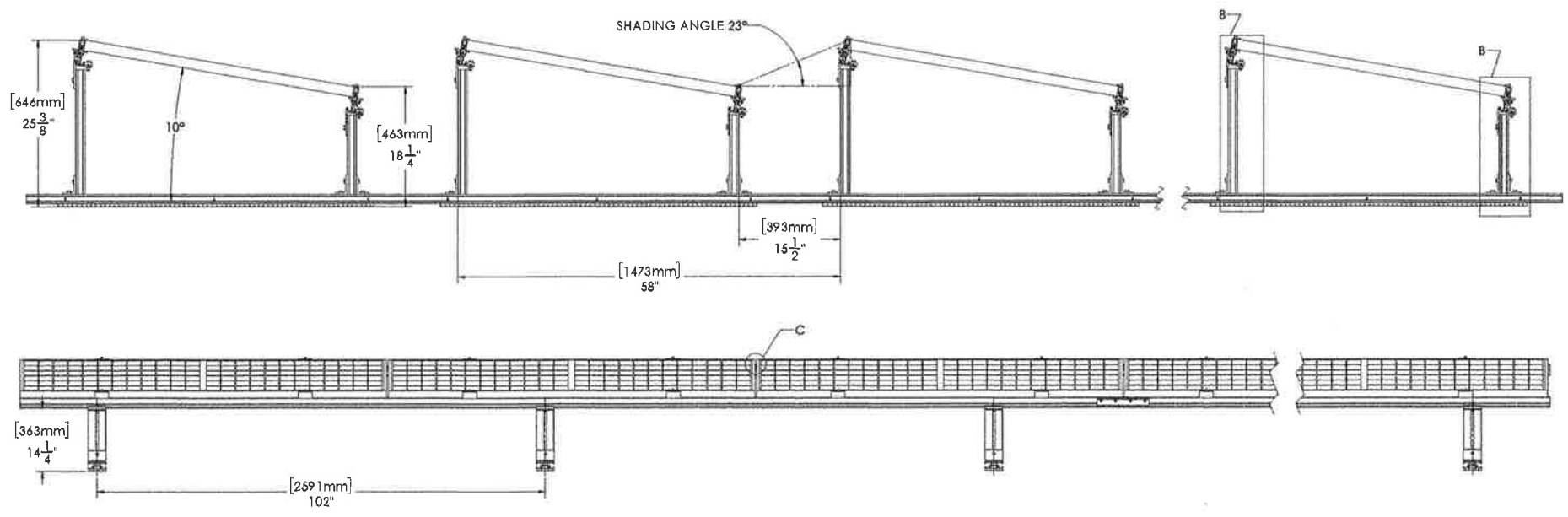
Project Info

Project Name: Metro 15
 Project Number: JDE-200812-1
 Project Address: 690 Hopmeadow St, Strabury, CT

File

SYSTEM DETAILS SP-T

| Drawn by: | Checked by: |
|----------------|---------------|
| MJD | LA |
| Date: 23/02/21 | Rev: 02 |
| Scale: 1:20 | Page: P01/008 |



Apply:
 This drawing is for informational purposes only. It is not intended to be used as a construction document. The user is responsible for verifying the accuracy of the information provided and for obtaining all necessary permits and approvals. The user is also responsible for ensuring that the information provided is used in accordance with the applicable laws and regulations.

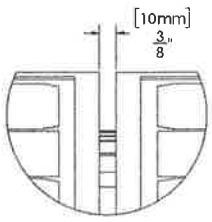
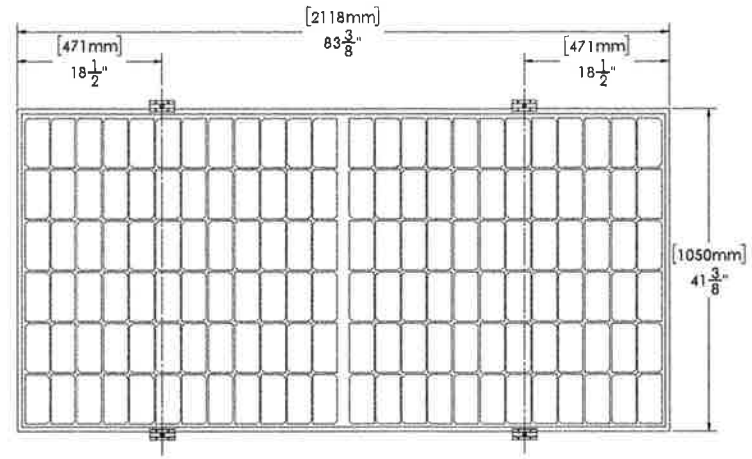
Note

Revision

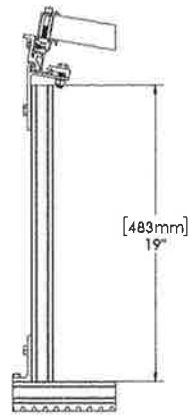
| Rev # | Review | Date |
|-------|-----------------------|------------|
| 02 | CHANG POSITION CHANGE | 2009-07-31 |

PV PANEL SPECIFICATIONS
 MANUFACTURER : Vikram Solar
 MODEL: PREXOS-VSMDHT.72.aaa.05
 MASS: 25,3 KG (55.7 lb)
 MAXIMUM MECHANICAL LOAD PRESSURE: 5.4 kPa /-2.4 kPa
 DIMENSION (LxWxH) : 2118x1050x40mm (83.38x41.33x1.57in)

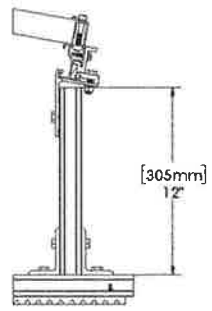
RECOMMENDED SPACE BETWEEN PV PANEL



DETAIL C
 SCALE 1 : 1.5



DETAIL B
 SCALE 1 : 4



DETAIL B
 SCALE 1 : 4

Array Information
 Type of Mounting: SRU-HP
 Panel Model: PREXOS-VSMDHT.72.aaa.05
 TB Angle : 10°
 Panel Qty : 204
 DC Sep : 1162 kW

Customer Info

JD Sclar
 Phone: 866-866-8888
 Email: jmsclar@opsun.com

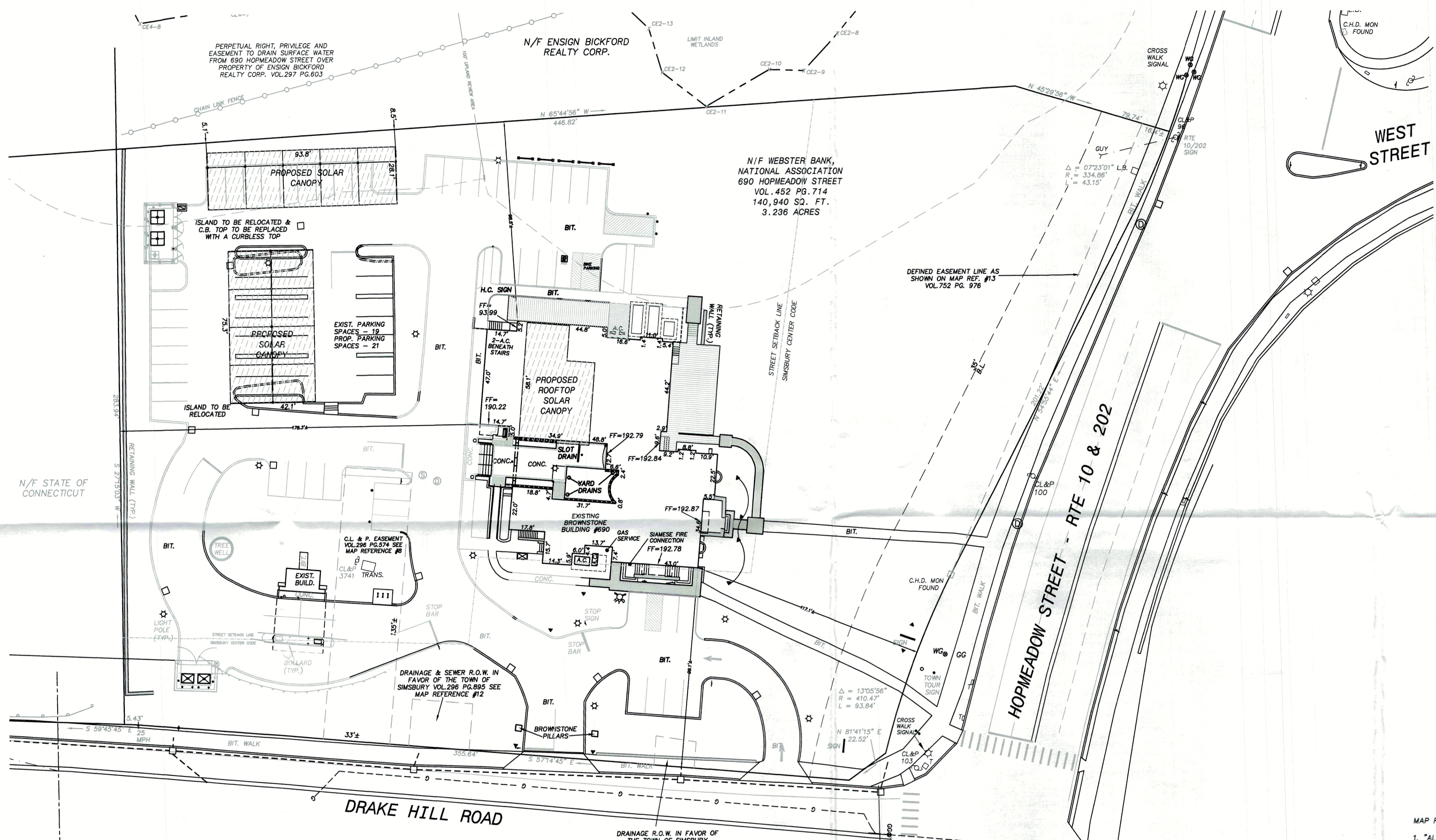
Project Info
 Project Name: Malro 8a
 Project Number: JOE-20051211
 Project Address: 450 Wagonwheel Row, SL, Strimbury, CT

File: SYSTEM DETAILS SRU-HP

| Drawn By | Check By |
|------------|----------|
| M.D. | LA |
| Drawn Date | Rev |
| 22/02/11 | 02 |
| Scale | Page |
| 1:12 | PV1.307 |







LEGEND

| | |
|--|----------------------------------|
| | PROPERTY LINE |
| | CHAINLINK FENCE |
| | TREE/VEGETATION LINE |
| | BITUMINOUS PAVEMENT |
| | BITUMINOUS/CONCRETE CURB |
| | MH O YD MANHOLE OR YARD DRAIN |
| | CATCH BASIN |
| | FIRE HYDRANT |
| | WATER GATE |
| | UTILITY POLE |
| | CONC. CONCRETE |
| | BIT. BITUMINOUS |
| | MON. MONUMENT |
| | FF FINISH FLOOR |
| | FL FLOW LINE |
| | TF TOP OF FRAME |
| | LIGHT |

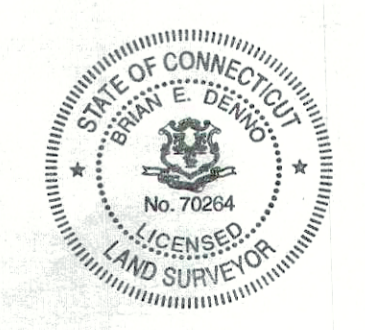
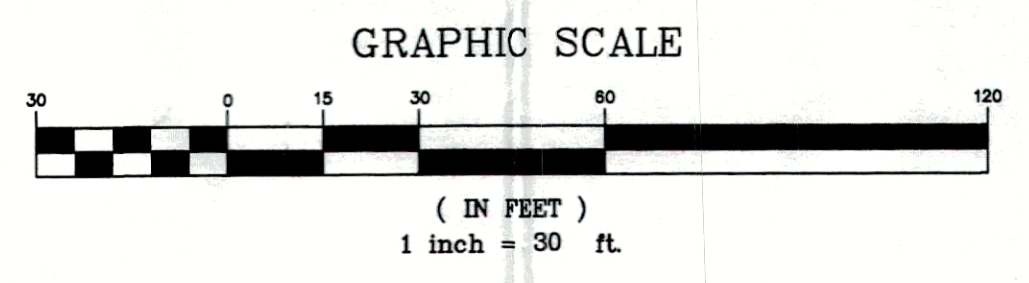
MAP REFERENCE:
 1. "ALTA/ASCM LAND TITLE SURVEY PREPARED FOR JOHN M. MCCARTHY 690 HOPMEADOW STREET SIMSBURY, CONNECTICUT SCALE 1" = 30' DATE 1/15/13 SHEET NO. 1 OF 1 DENNO LAND SURVEYING & CONSULTING, LLC", REVISED 12/01/14 - WETLANDS LINE, TOPO & UTILITIES SURVEY NOTES.

THIS MAP HAS BEEN PREPARED PURSUANT TO THE REGULATIONS OF CONNECTICUT STATE AGENCIES SECTIONS 20-300b-1 THROUGH 20-300b-20 AND THE "STANDARDS FOR SURVEYS AND MAPS IN THE STATE OF CONNECTICUT" AS PREPARED AND ADOPTED BY THE CONNECTICUT ASSOCIATION OF LAND SURVEYORS, INC. ON SEPTEMBER 26, 1996.

THE TYPE OF SURVEY PERFORMED IS A ZONING LOCATION SURVEY.
 BOUNDARY DETERMINATION CATEGORY-FIRST SURVEY.
 THIS PLAN CONFORMS TO HORIZONTAL ACCURACY CLASS A-2.
 PROPERTY IS LOCATED IN SIMSBURY CENTER ZONE
 HORIZONTAL CONTROL BASED ON C.G.S. MON'S #1545 & #1546.

UTILITY STATEMENT

UNDERGROUND UTILITY, STRUCTURE AND FACILITY LOCATIONS DEPICTED AND NOTED HEREON HAVE BEEN COMPILED, IN PART, FROM RECORD MAPPING SUPPLIED BY THE RESPECTIVE UTILITY COMPANIES OR GOVERNMENTAL AGENCIES, FROM PAROL TESTIMONY AND FROM OTHER SOURCES. THESE LOCATIONS MUST BE CONSIDERED AS APPROXIMATE IN NATURE. ADDITIONALLY, OTHER SUCH FEATURES MAY EXIST ON THE SITE, THE EXISTENCE OF WHICH ARE UNKNOWN TO THIS SURVEYOR. THE SIZE, LOCATION AND EXISTENCE OF ALL SUCH FEATURES MUST BE FIELD DETERMINED AND VERIFIED BY THE APPROPRIATE AUTHORITIES PRIOR TO CONSTRUCTION. CALL BEFORE YOU DIG 1-800-922-4455.



REVISIONS:
 3/6/21 - SOLAR PANEL SIZE & LOCATION

TO MY KNOWLEDGE AND BELIEF THIS MAP IS SUBSTANTIALLY CORRECT AS NOTED HEREON.

NOT VALID UNLESS LIVE SIGNATURE AND EMBOSSED SEAL IS AFFIXED
 DENNO LAND SURVEYING & CONSULTING, LLC
 2 TUNXIS RD STE. 214 TARIFFVILLE, CT 06081

PROPOSED SOLAR PANELS
 PREPARED FOR
SOLECTRAN, LLC
 690 HOPMEADOW STREET
 SIMSBURY, CONNECTICUT

| | | |
|-----------------|----------------|---------------------|
| SCALE 1"=30' | DATE 7/2/20 | SHEET NO. 1 OF 1 |
|-----------------|----------------|---------------------|