



Town of Simsbury

933 HOPMEADOW STREET

SIMSBURY, CONNECTICUT 06070

Office of Community Planning and Development

To: Simsbury Conservation Commission/Inland Wetlands Agency

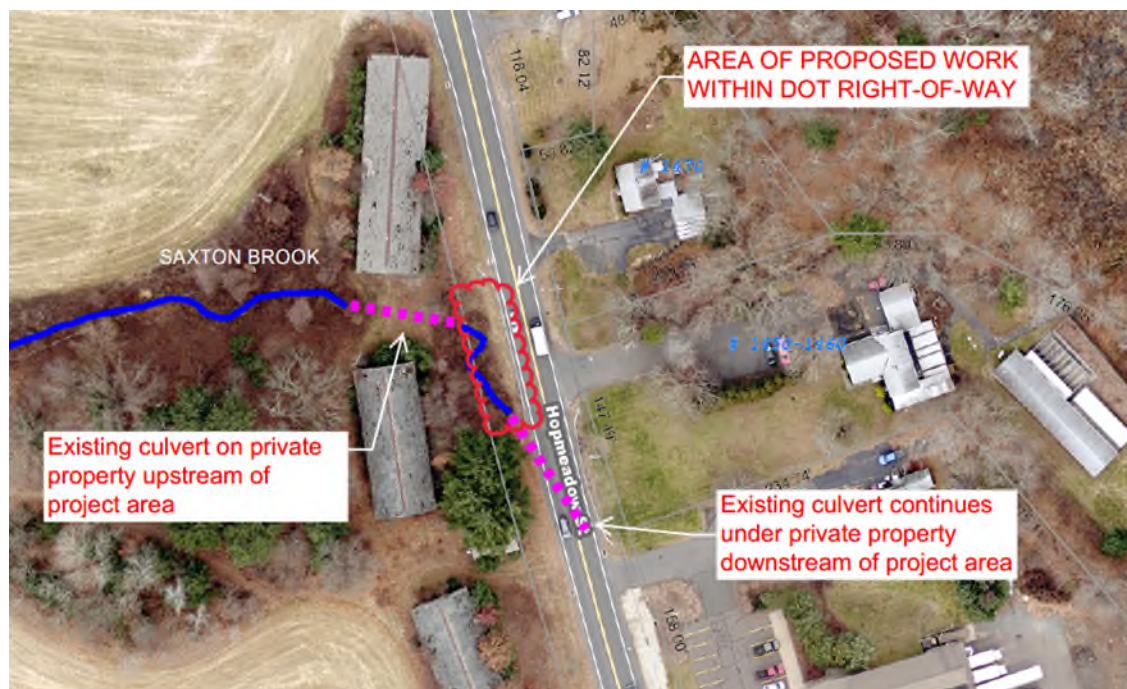
From: Brittany MacGilpin, Assistant Town Planner

Date: March 5, 2024

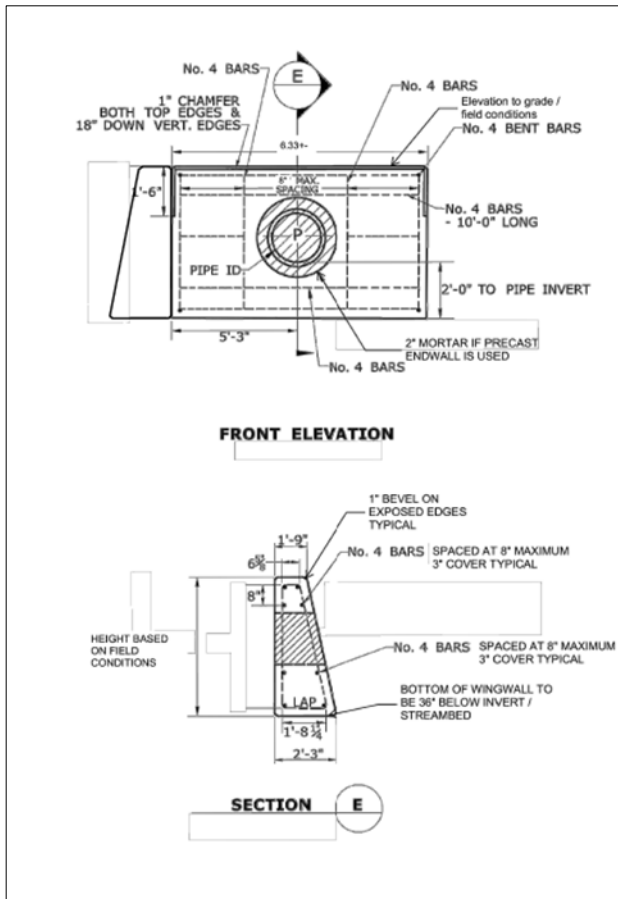
Application CC #24-08 of Town of Simsbury/Engineering Department, applicant and Town of Simsbury, owner, for a wetland permit to construct a culvert extension within the right-of-way by installing a storm manhole, pipe and new headwall within wetland soils at 1503 Hopmeadow Street (Assessor's Map I04, Block 403, Lot 015) Simsbury, CT 06070, zone I1.

Summary of Request: The Town of Simsbury's Engineering Department has submitted an Inland Wetlands permit application for a proposed culvert extension within the right-of-way at 1503 Hopmeadow Street. The project is in association with the on-going sidewalk project and includes installation of a storm manhole, pipe and new headwall that will be adjacent to the newly installed sidewalk. The location of the excavation and filling work is within a watercourse (Saxton Brook) and upland review area and therefore, is considered a regulated activity. The area of disturbance is expected to be approximately 1,416 s.f. The picture below shows a GIS aerial view of the project area.

The Regulated Activity application was deemed significant at the regularly scheduled February 20, 2024 Conservation Commission/Inland Wetlands Agency meeting and scheduled for a public hearing on March 5, 2024.



The applicant has submitted a site plan and specifications for the proposed culvert extension and headwall, please see below. A picture of the current culvert is also included.



Criteria For Decision, Section 10.2 in Wetland Regulations: While making its decision, the Agency must provide findings for approval (or denial) of the application. A complete list of findings can be found in Section 10.2 of the Wetland Regulations. Relevant criteria for the commission to consider when making findings for this application are included in the list below. Information on how the applicant has addressed these findings are included in italics.

- a. The environmental impact of the proposed regulated activity on wetlands or watercourses including the amount and nature of material to be removed or deposited and the projected effect on the water table, drainage patterns; flood control, water supply and quality, and aquatic or benthic organisms. *The applicant has explained that the project is minor in nature and the environmental impact to the project area will be minimal. The distribution of fill will be monitored to ensure the type is appropriate. The slope will be graded to match existing conditions and a conservation seed mix will be utilized. Furthermore, the project will help reduce runoff and sediment build up from the adjacent sidewalk and street as there will be new catch basins and curbing installed.*
- b. The applicant's purpose for the proposed activity, and any feasible and prudent alternatives which would cause less or no environmental impact to wetlands or watercourses. *The applicant explained the on-going sidewalk project being completed on this portion of Hopmeadow Street which required the need to re-design the culvert. Various alternatives were considered when reviewing the project however, those options were not feasible from a maintenance prospective and were cost prohibitive.*
- c. The relationship between the short- and long-term impacts of the proposed regulated activity on wetlands or watercourses and the maintenance and enhancement of long-term productivity

of such wetlands or watercourses, including the potential for preservation and/or management of local ecosystems. *The applicant explained that silt fence and wattles will be utilized as necessary to control erosion. Temporary piping will discharge to the existing culvert in a controlled manner. Once the slope is constructed, biodegradable matting or hay will be used to stabilize the slope while the conservation mix establishes. An alternative to the matting is hydroseed with a suitable amount of tackifier for slope installations.*

Draft Motion

Moved, the Inland Wetland and Watercourses Agency APPROVES **Application CC #24-08** of Town of Simsbury/Engineering Department, applicant and Town of Simsbury, owner, for a wetland permit to construct a culvert extension within the right-of-way by installing a storm manhole, pipe and new headwall within wetland soils at 1503 Hopmeadow Street (Assessor's Map I04, Block 403, Lot 015) Simsbury, CT 06070, zone I1 based upon the following findings:

- a. Short-term impacts from the proposed development will be controlled by installation and maintenance of erosion and sediment controls.
- b. The applicant stated in the application that prudent and feasible alternatives were considered that would reduce the impact to the wetlands and watercourse however, those options were cost prohibitive.
- c. The environmental impact of the proposed regulated activity on wetlands or watercourses will be minimal and sediment runoff conditions into the watercourse are expected to improve.

And subject to the following conditions:

1. The project shall be developed in substantial conformance to the site plan titled, "Drainage Extension Plan," dated January 18, 2024, prepared by Tectonic.
2. Invasive species in the project area will be removed to the greatest extent possible within the project limits.
3. Once the slope is constructed, a conservation seed mix will be applied.
4. At all times during site work and until soil areas are stabilized, the applicant shall install and maintain erosion and sediment control measures depicted in the plot plan (see condition #1) such as fabric filter fence or other measures deemed necessary by the Commission's agent to prevent erosion and sedimentation impacts to wetlands and watercourses.
5. All erosion control and soil stabilization measures shall comply with the approved plans and the guidelines as established in the Connecticut Guidelines for Soil Erosion and Sediment Control, 2002, CTDEP Bulletin 34.
6. Upon direction of the Commission's agent, erosion and sediment control measures shall be removed by the applicant following stabilization of the site.
7. The Inland Wetlands Agent shall be notified at least 48 hours prior to commencement of activities.

Or

Moved, (An alternative Motion)