

Client:



Location:

Simsbury, CT.

Project:

Proposed Wall Sign

Notes:

Dwg. Date:
11-8-21

Scale:
NTS.

Revisions: _____ Date: _____

R1: Revised sign lighting to flood lamp.
11-23-21

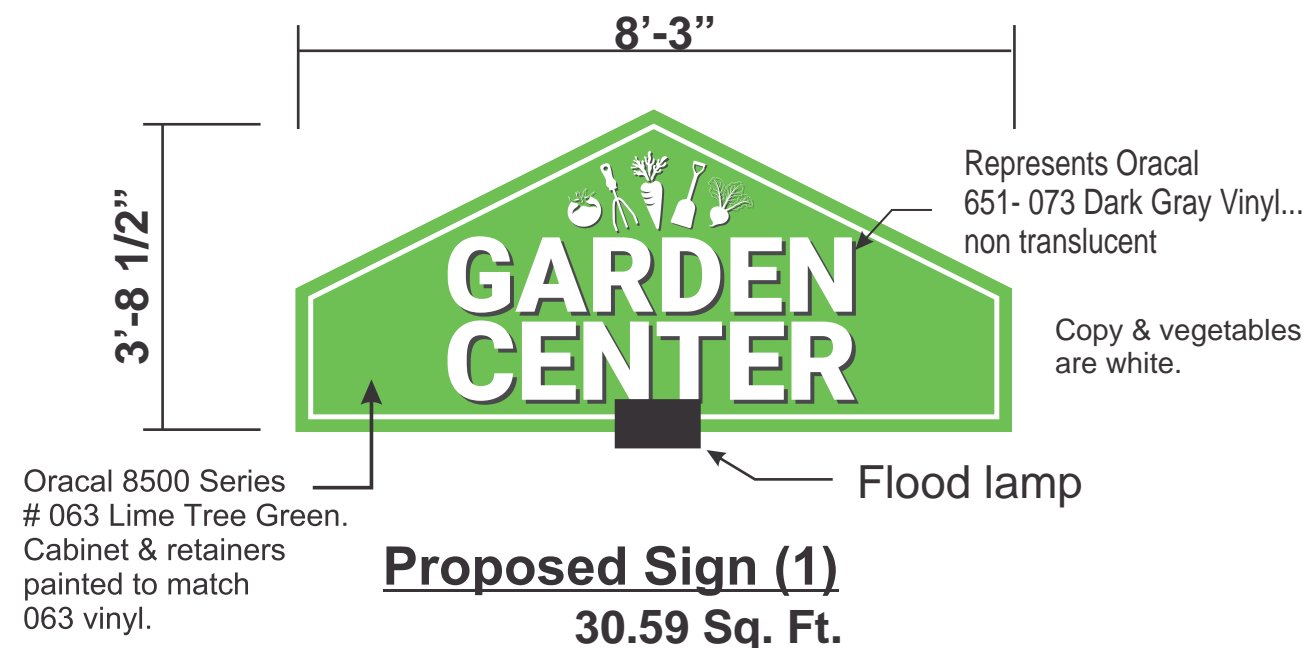
Presented By:



The Sign Resource, Inc.
P.O. Box 6215 Hickory, NC. 28603
Ph. 727-669-6877 www.TSRFL.com

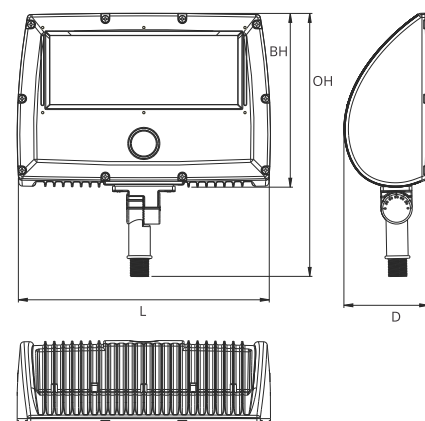
Note: This drawing is property of The Sign Resource, & shall not be reproduced without written permission

Dwg. Number: TS-8573 R1



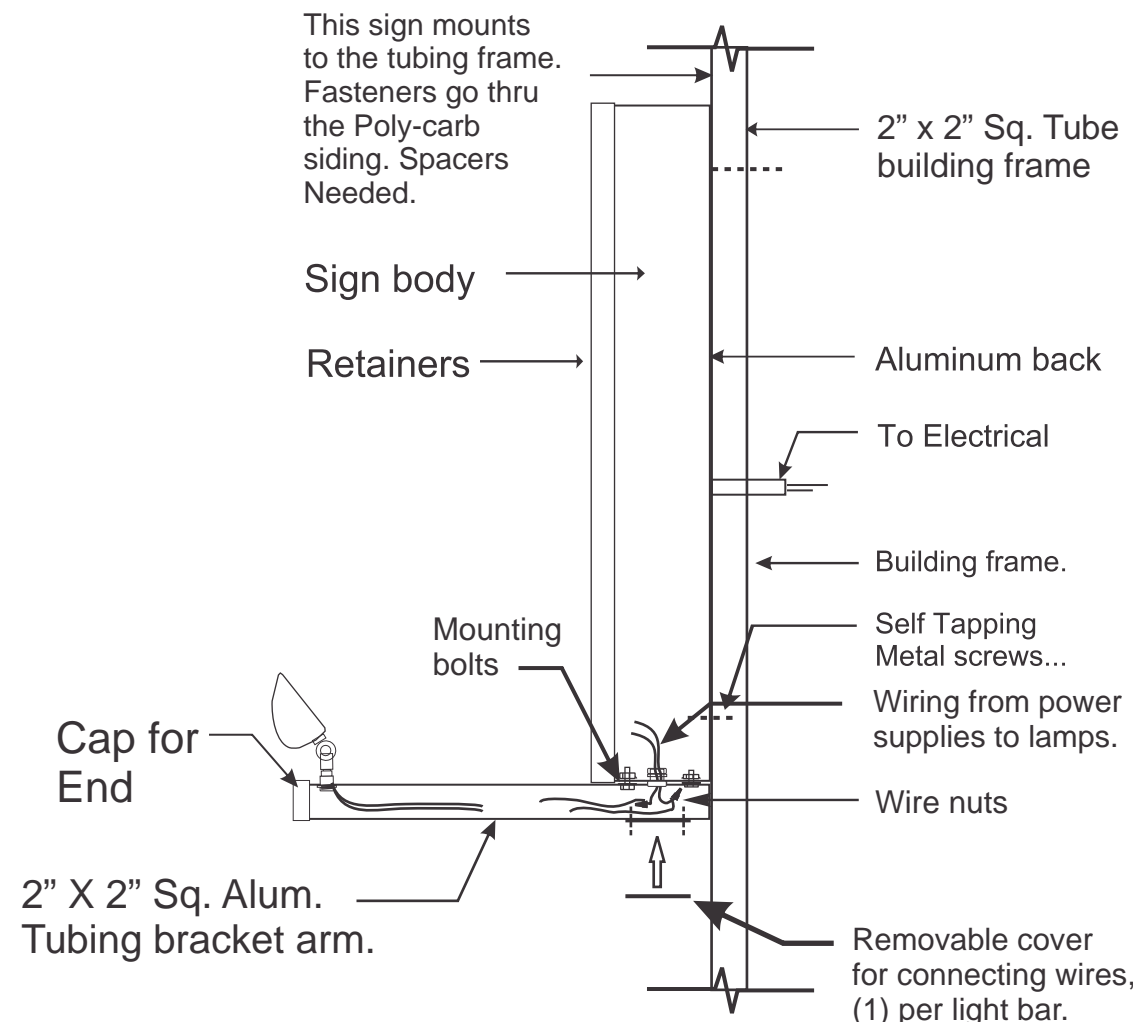
General Notes for Proposed Garden Center Sign

Cabinet is of Aluminum construction. with sheet aluminum fillers.
Face is 3/16" thick, flat Poly-carbonate with vinyl decoration.
Sign is externally illuminated with flood lamp (1).
Power supplies are multi-volt & contained in cabinet,
Illumination is provided by internal LEDS.



Wattage	50W
L = Length (inches / mm)	10.75 / 280
D = Depth (inches / mm)	3.73 / 94.7
BH = Body Height (inches / mm)	7.64 / 194.1
OH = Overall Height (inches / mm)	11.57 / 293.8
Weight (lbs / kg)	10.36 / 4.7
Effective Projected Area (EPA) in ft ²	
Configuration	■
Wattage	50
	1.340

This sign mounts to the tubing frame. Fasteners go thru the Poly-carb siding. Spacers Needed.



End View: Garden Center Sign

Floodlight Series (Medium)



FEATURES

- Color Temperatures: 4000K and
- CRI: 70
- Lumen Maintenance: L70=50,000 at 25 °C
- Operating Temperature Range: -40 °C to 40 °C
- Durable All Aluminum Pressure Die Cast Housing
- Long Life Durable Powder Coat Finish (Custom colors are available upon request.)
- IP65 Rated (wet listed)
- Mounting: 1/2" NPT adjustable knuckle standard. Optional trunnion or tenon adapter available.

ELECTRICAL SPECIFICATIONS

- Two Universal Voltage Driver Options: 120-277V and 347-480V
- Power Factor > 0.90
- THD < 0.85
- Control Options: 0-10V Dimming Standard (Photocell Optional)

TESTS & CERTIFICATIONS

- ETL (to UL1598 standards)
- RoHS Compliant
- Design Lights Consortium (Premium)



Signs to meet current NEC. codes.

Client:



Location:

Simsbury, CT.

Project:

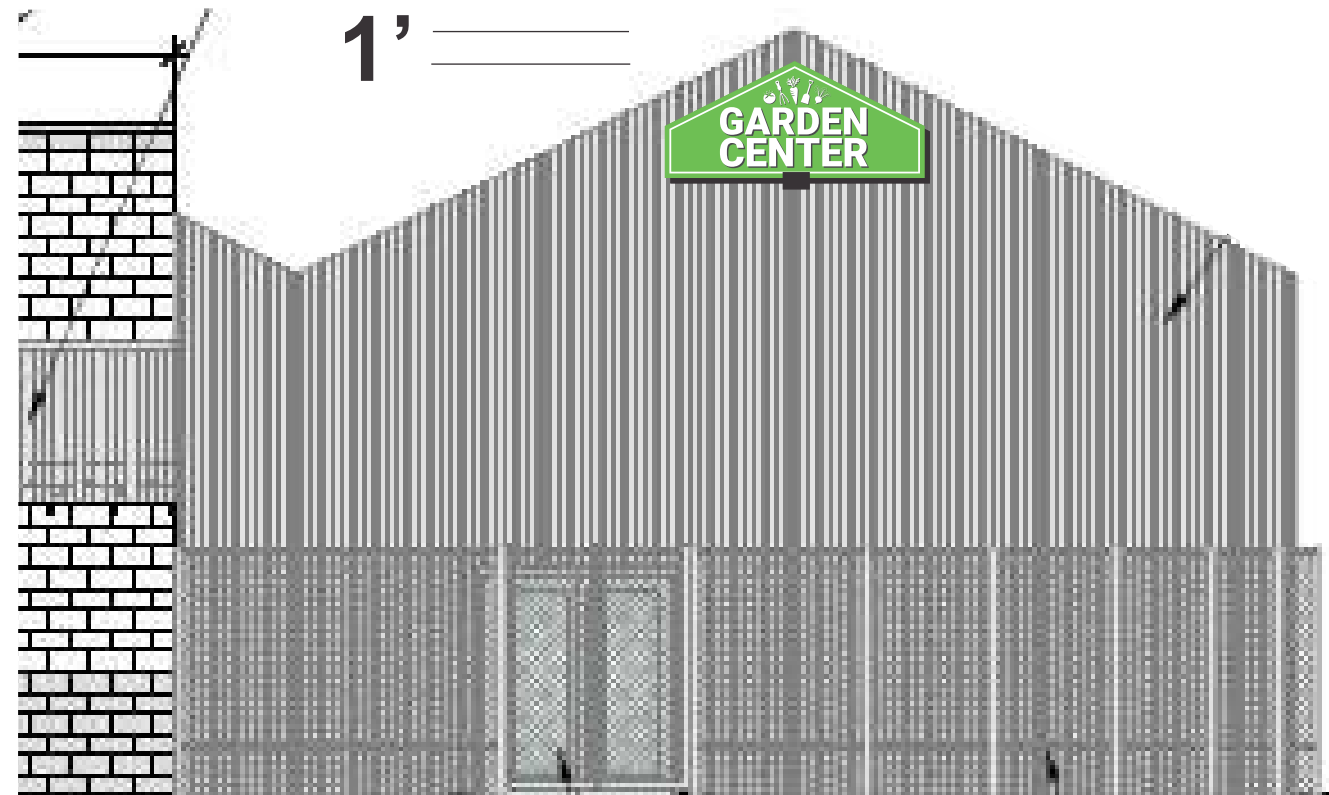
Proposed Wall Sign

Notes:

Dwg. Date:
11-8-21

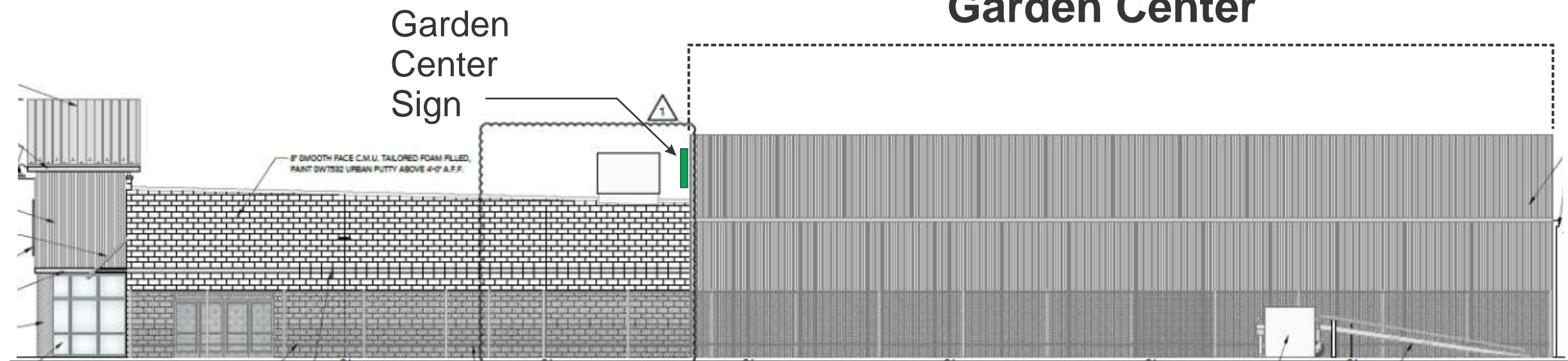
Scale:
NTS.

Revisions: Date:



Garden Center Elevation with Proposed Sign

Garden Center



Right Side Store Elvation

Presented By:



The Sign Resource, Inc.
P.O. Box 6215 Hickory, NC. 28603
Ph. 727-669-6877 www.TSRFL.com

Note: This drawing is property of The Sign Resource, & shall not be reproduced without written permission

Dwg. Number: TS-8591