

Notice
 All rights reserved. All information contained in this document remains the sole property of Opsun. This document may not be copied, reproduced, or otherwise disseminated in any form, electronic or mechanical, including photocopying, recording, or by any information storage and retrieval system, without the prior written permission from Opsun. Any changes made to the present information, or if any missing information is detected, Opsun does not offer any warranty concerning the structural integrity of the building, the strength of which has only been assessed by the structural engineer. Any modifications or alterations made to the approved design without Opsun's approval may void any warranty offered by Opsun. Opsun and its proposed changes must first be reviewed and approved in writing by Opsun. No warranty is provided or implied by Opsun with respect to, and Opsun shall not be held responsible for, the accuracy, reliability, or completeness of the information, or the validity of any data, including but not limited to, the location and suitability of the roof to support the installation of such roofing. Do not base the drawing by accepting the document, but understand and agree in the agreement with the above statement.

Note

NOT FOR CONSTRUCTION

Revision

Rev.#	Review	Date
02	SP-T SHAPE POSITION CHANGE	2020-02-23

Array Information

Type of Mounting:
 SRU-HP
 Panel Model:
 PREXOS VSM DHT.72.AAA.05
 Tilt Angle : 10°
 Panel Qty : 264
 DC Size : 116.2 kW

Customer Info

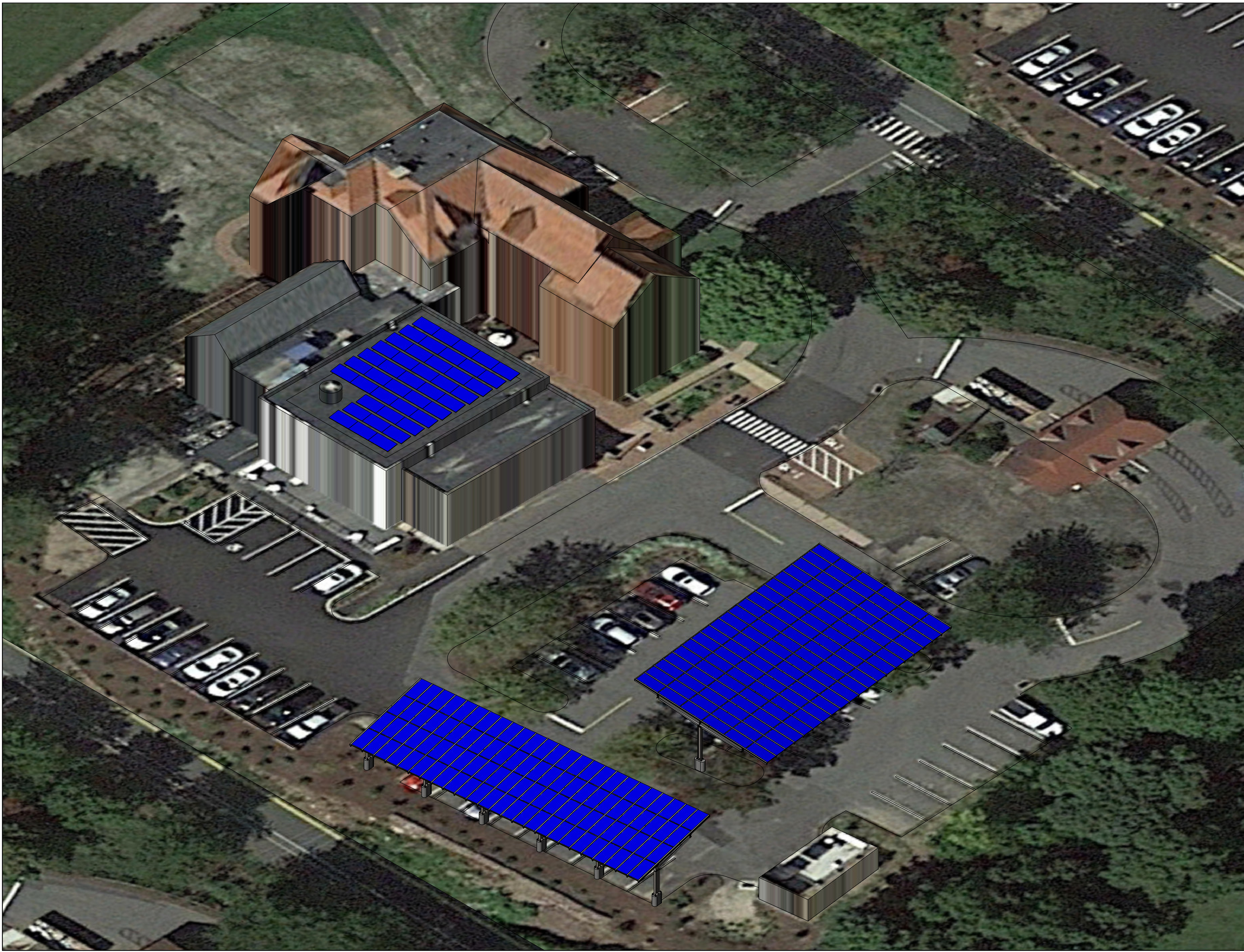
JD Solar
 Phone: 860-966-9701
 Email:
 jimdeansolar@gmail.com

Project Info

Project Name:
 Metro Bis
 Project Number:
 JDE-200512-1
 Project Address:
 690 Hopmeadow
 St. Simsbury, CT

Title
 PRESENTATION

Drawn By: M.D.	Check By: LA
Drawn Date: 23/02/21	Rev 02
Scale: 1:125	Page: PV1.001



Notice
 All rights reserved. All information contained in this document remains the sole property of Opsun. This document may not be copied, reprinted, or otherwise used in any way, including by any electronic means, reproduced in whole or in part, without the express written permission from Opsun. Any change or modification to this drawing, or any other information, made to the present information, or if any missing information is detected, Opsun does not offer any warranty concerning the structural integrity of the building, the strength of which has been approved by the structural engineer. Any modifications or alterations made to the approved design without Opsun's approval may void any warranty offered by Opsun. Any and all proposed changes must first be reviewed, and approved in writing, by Opsun. No warranty is provided or implied by Opsun with respect to, and Opsun shall not be held responsible for, the accuracy, completeness, or the reliability of any and all warranty, including or archiving of the building, and the stability of the roof to support the installation of such racking. Do not scale the drawing. By accepting this document, the client understands and is in full agreement with the above statement.

Note

NOT FOR CONSTRUCTION

Revision

Rev.#	Review	Date
02	SP-T SHAPE POSITION CHANGE	2020-02-23

Array Information

Type of Mounting: SRU-HP
 Panel Model: PREXOS VSM DHT.72.AAA.05
 Tilt Angle : 10°
 Panel Qty : 264
 DC Size : 116.2 kW

Customer Info

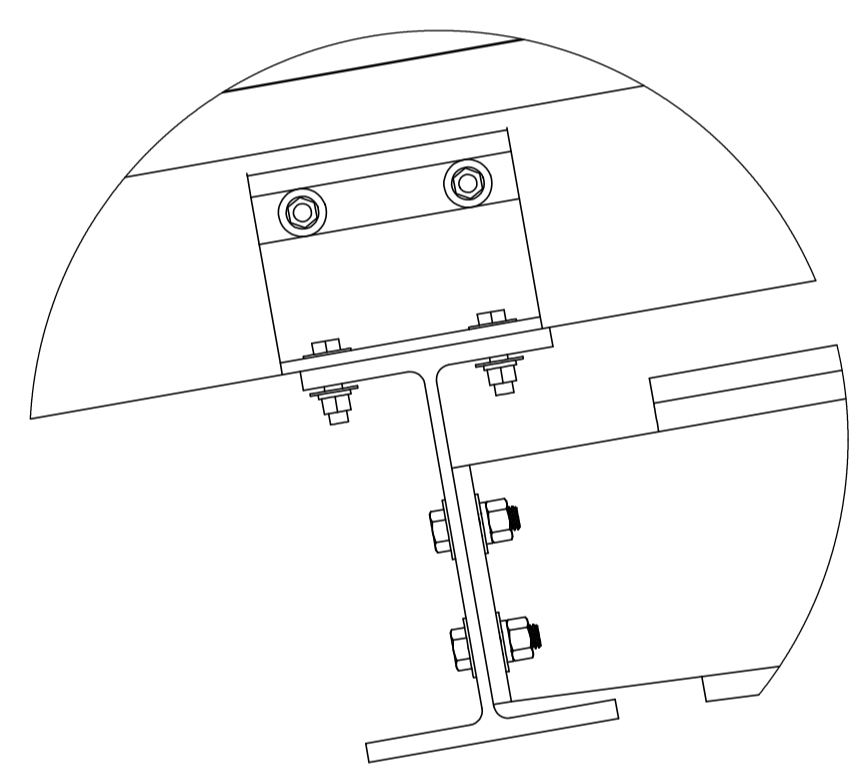
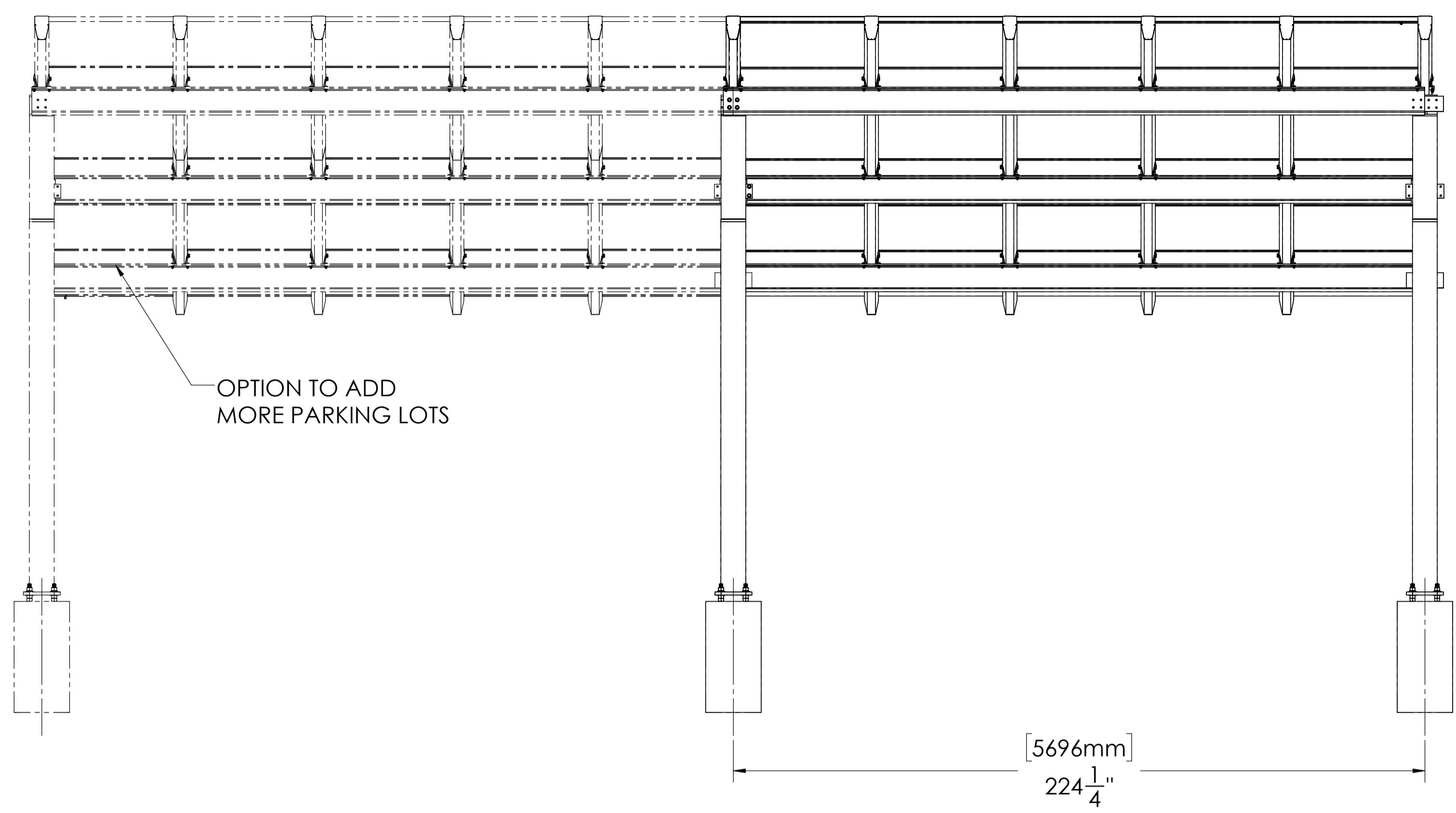
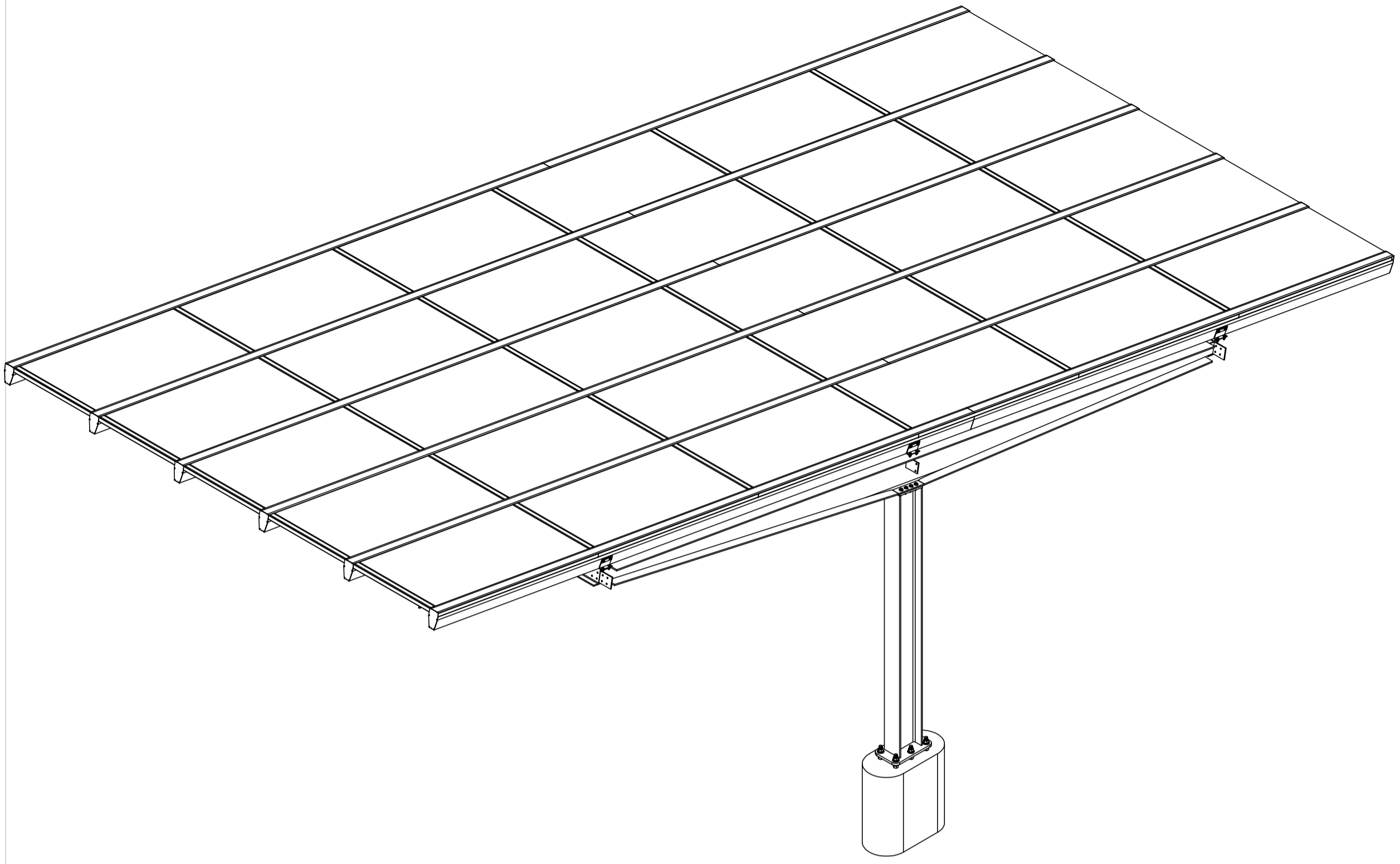
JD Solar
 Phone: 860-966-9701
 Email: jmdeansolar@gmail.com

Project Info

Project Name: Metro Bis
 Project Number: JDE-200512-1
 Project Address: 690 Hopmeadow St, Simsbury, CT

Title: SYSTEM DETAILS SP-T

Drawn By: M.D.	Check By: LA
Drawn Date: 23/02/21	Rev: 02
Scale: 1:30	Page: PV1.306



DETAIL A
SCALE 1 : 4

PV PANEL SPECIFICATIONS
MANUFACTURER : Vikram Solar
MODEL: PREXOS-VSM DHT.72.aaa.05
MASS: 25.3 KG (55.7 lb)
MAXIMUM MECHANICAL LOAD PRESSURE: 5.4 kPa /-2.4 kPa
DIMENSION (LxWxH) : 2118x1050x40mm (83.38x41.33x1.57in)

