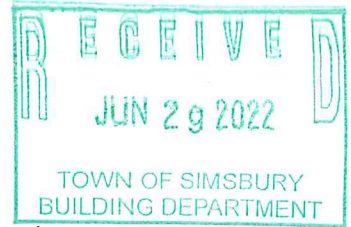




Town of Simsbury



Office of Community Planning and Development - Zoning Commission Application

DATE: 06/24/22 FEE: \$ 120.00 CK #: 1205 APP #: 22-20

PROPERTY ADDRESS: 1375 Hopmeadow Street, Simsbury, CT 06070

NAME OF OWNER: Town of Simsbury

MAILING ADDRESS: 933 Hopmeadow Street, Simsbury CT 06070

EMAIL ADDRESS: _____ TELEPHONE # _____

NAME OF AGENT: Kristine Braccidiferro for Sign Pro Inc.

MAILING ADDRESS: 60 Westfield Drive, Plantsville, CT 06479

EMAIL ADDRESS: krissy@signpro-usa.com TELEPHONE # 860-426-3276

ZONING DISTRICT: I-1 LOT AREA: 17.08 SQ FT/ACRES

Does this site have wetlands? YES NO Have you applied for a wetlands permit? YES NO

REQUESTED ACTION (PLEASE CHECK APPROPRIATE BOX):

- ZONE CHANGE:** The applicant hereby requests that said premises be changed from zone _____ to zone _____.
- TEXT AMENDMENT:** Please attach proposed changes, including Articles and Sections, and purposes.
- SPECIAL EXCEPTION:** The applicant hereby requests a public hearing pursuant to Article _____, Section _____.
- SITE PLAN APPROVAL:** The applicant hereby requests
 - PRELIMINARY FINAL SITE PLAN AMENDMENT pursuant to Article 5, Section J
- SIGN PERMIT**
- OTHER (PLEASE EXPLAIN):** _____

NOTE: Each application must fully comply with the requirements of the Zoning Regulations prior to receipt by the Commission. Each application for zone change and/or special exception shall include a list of names and addresses of abutting property owners and all property owners within 100 feet of the subject site.

A check payable to the Town of Simsbury must accompany this **original signed and dated** application. **Six (6) complete (folded) sets of plans and eleven (11) copies of the completed application and correspondence** must also be included. If you have a PDF of your plans, we would appreciate a copy of that sent to lbarkowski@simsbury-ct.gov, as well.

_____	_____	<i>K Braccidiferro</i>	<u>06/27/22</u>
Signature of Owner	Date	Signature of Agent	Date

Telephone: (860) 658-3245

www.simsbury-ct.gov

933 Hopmeadow Street
Simsbury, CT 06070

06-29-2022 9167

CHECK 120.00



Monday June 27, 2022

Laura,

Enclosed please find a copy of the Zoning Commission application for a monument sign at 1375 Hopmeadow Street, alongside a check for \$120.00 [\$60 fee plus \$60 for \$2/sf @ 30sf], and (3) sets of drawings. I have already emailed you a digital copy of the application alongside the drawings; please let me know if you require any additional documentation or information.

Thank you,

A handwritten signature in black ink, appearing to read "K Braccidiferno". The signature is fluid and cursive, with the first letter of each word being capitalized and prominent.

Kristine Braccidiferno

Asst. Permit Expediter, Sign Pro Inc.

860-426-3276

krissy@signpro-usa.com



INTERNATIONAL

SKATING CENTER OF CONNECTICUT

Monument Sign

Simsbury, CT • Job# 37477 • Revision 1 • June 21, 2022



60 Westfield Drive
Plantsville, CT 06479
860.229.1812

International Skating Center of CT

Project Address:
Simsbury, CT

SPI WO #:37477
Issue Date: June 16, 2022

Salesperson: Pat Freer
pat@signpro-usa.com
860.919.6171

Designer: KRC

DRAWINGS ARE NOT TO SCALE UNLESS OTHERWISE NOTED

SPI Revisions:
Rev1 KRC 06/21/2022



Monument Sign
Double sided

- Pantone 281 c
- Pantone 349 c
- White

\\192.168.1.17\Jobs\Jobs_A-Z\00C yriousTesting\Estimate\37000\37477 - International Skating Center of CT (10672)

Customer Approval: APPROVED APPROVED AS NOTED REVISE & RESUBMIT

SIGN PRO 60 Westfield Drive
Plantsville, CT 06479
860.229.1812
signpro-usa.com

SIGN TYPE
Monument

PRINT SIGN DATE

PAGE
2 of 5

© COPYRIGHT 2022, BY SIGN PRO INC. ALL DESIGNS PRESENTED ARE THE SOLE PROPERTY OF SIGN PRO INC. AND MAY NOT BE REPRODUCED IN PART OR WHOLE WITHOUT WRITTEN PERMISSION FROM SIGN PRO INC.

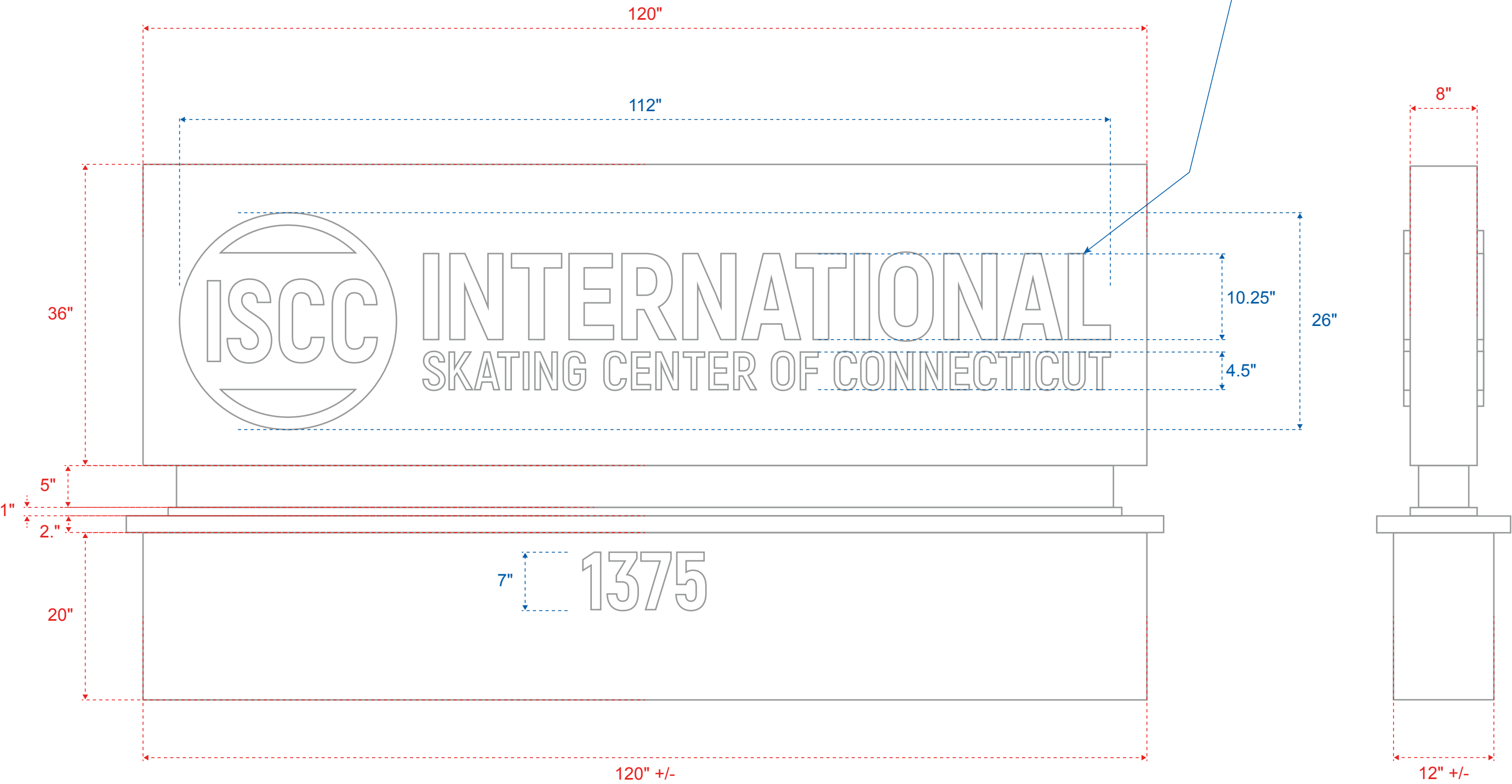


Monument Sign

- Square Footage = 30 ft²
- Double sided
- 4" sq. alum. posts
- 2" sq. alum. frame (welded)
- Aluminum skin

Text, logo and address

- Flat Cut Dimensional
- ACY-0.750-XB-CLEAR
- Painted White
- STUDS-ALUM-1/8"x3"-10-24 THREAD



International Skating Center of CT

Project Address:
Simsbury, CT

SPI WO #:37477
Issue Date: June 16, 2022

Salesperson: Pat Freer
pat@signpro-usa.com
860.919.6171

Designer: KRC

**DRAWINGS ARE NOT TO SCALE
UNLESS OTHERWISE NOTED**

SPI Revisions:
Rev1 KRC 06/21/2022

\\192.168.1.17\Jobs\Jobs_A-Z\00C
yriousTesting\Estimate\37000\374
77 - International Skating Center of
CT (10672)

Customer Approval: APPROVED APPROVED AS NOTED REVISE & RESUBMIT

SIGN PRO
signpro-usa.com

60 Westfield Drive
Plantsville, CT 06479
860.229.1812

SIGN TYPE
Monument

PRINT SIGN DATE

PAGE
3 of 5

© COPYRIGHT 2022, BY SIGN PRO INC. ALL DESIGNS PRESENTED ARE THE SOLE PROPERTY OF SIGN PRO INC. AND MAY NOT BE REPRODUCED IN PART OR WHOLE WITHOUT WRITTEN PERMISSION FROM SIGN PRO INC.



Monument sign build

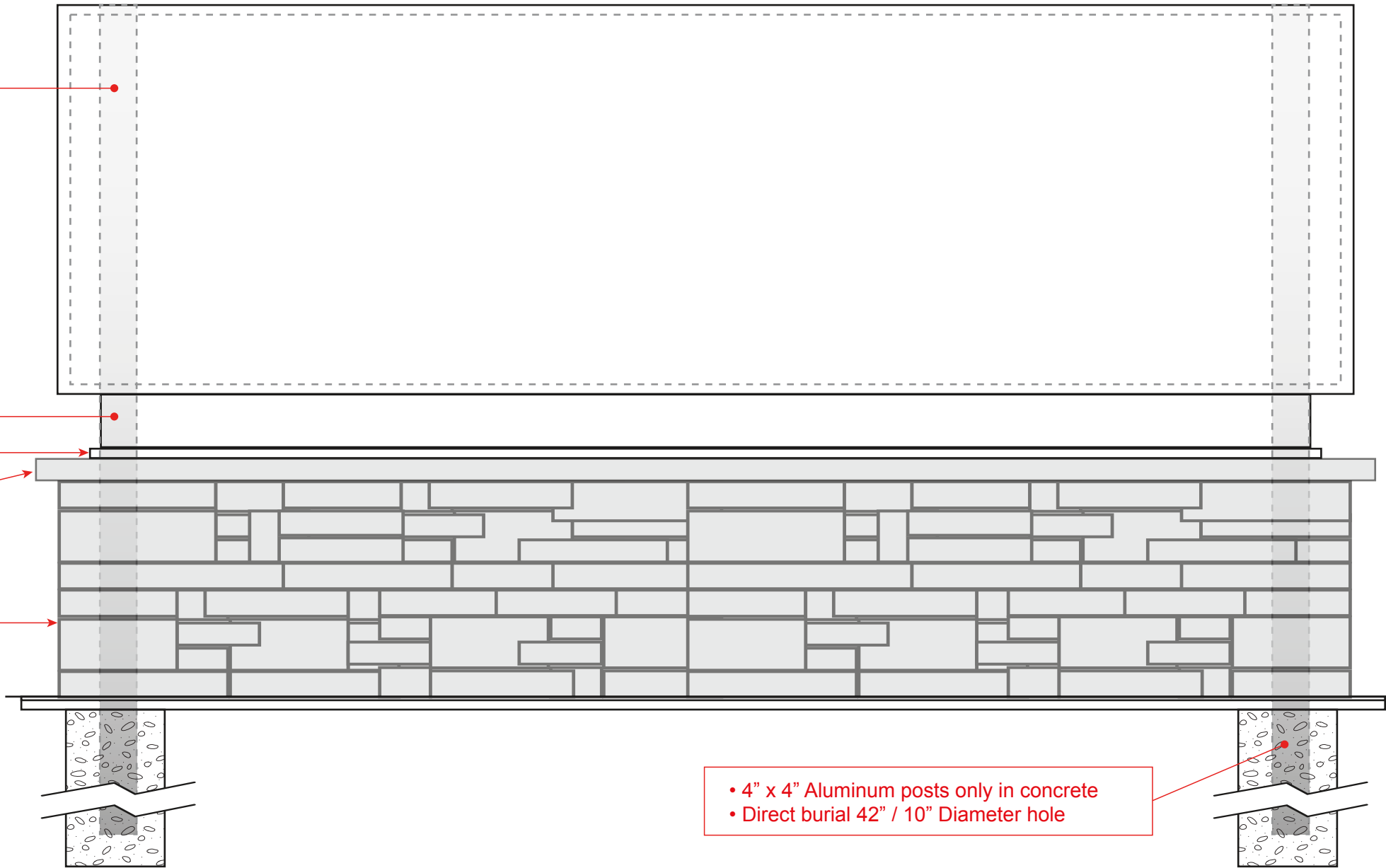
- 2" x 2" Square aluminum tube frame
- Skinned with 0.080 aluminum panels

0.080 aluminum skirt

1" x 1" Aluminum tube

2" Stone cap

- Stone base and cap**
 Belgard Bluff Wall (Gray)
 Belgard Universal Cap (Gray)
- Shelved on top of 3" aluminum angle frame
 * *May be replaced with equivalent shelving material*
 - Angle frame mechanically fastened to posts
 - Stone stacked via masonry adhesive



- 4" x 4" Aluminum posts only in concrete
- Direct burial 42" / 10" Diameter hole

International Skating Center of CT

Project Address:
 Simsbury, CT

SPI WO #:37477
 Issue Date: June 16, 2022

Salesperson: Pat Freer
 pat@signpro-usa.com
 860.919.6171

Designer: KRC

**DRAWINGS ARE NOT TO SCALE
 UNLESS OTHERWISE NOTED**

SPI Revisions:
 Rev1 KRC 06/21/2022

\\192.168.1.17\Jobs\Jobs_A-Z\00C
 yriousTesting\Estimate\37000\374
 77 - International Skating Center of
 CT (10672)

Customer Approval: APPROVED APPROVED AS NOTED REVISE & RESUBMIT



60 Westfield Drive
 Plantsville, CT 06479
 860.229.1812

SIGN TYPE
Monument

PRINT SIGN DATE

© COPYRIGHT 2022, BY SIGN PRO INC. ALL DESIGNS PRESENTED ARE THE SOLE PROPERTY OF SIGN PRO INC. AND MAY NOT BE REPRODUCED IN PART OR WHOLE WITHOUT WRITTEN PERMISSION FROM SIGN PRO INC.



PAGE
4 of 5

Footing build

Stone base and cap: SHELF SYSTEM

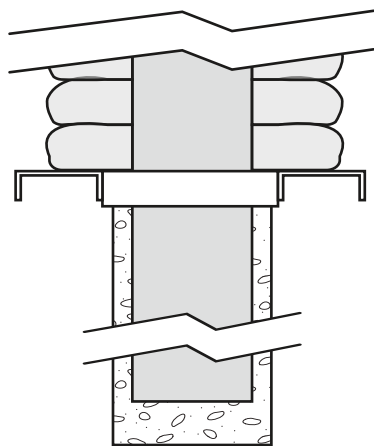
Belgard Bluff Wall (Gray)
Belgard Universal Cap (Gray)

- Shelved on top of 3" aluminum angle frame
* *May be replaced with equivalent shelving material*
- Angle frame mechanically fastened to posts
- Stone stacked via masonry adhesive

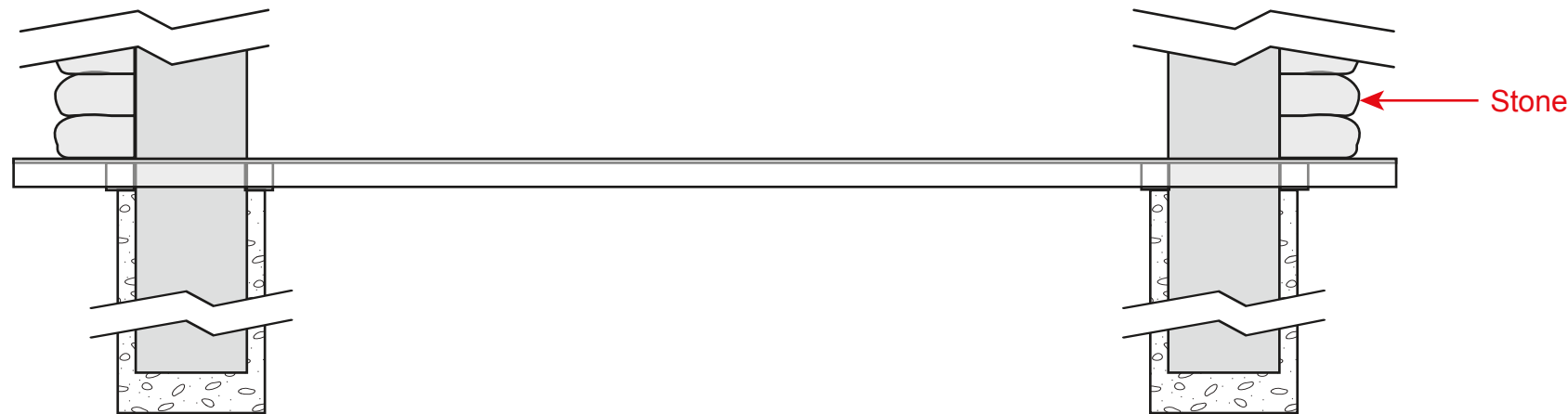
Top view



Side view



Side view



International Skating Center of CT

Project Address:
Simsbury, CT

SPI WO #:37477
Issue Date: June 16, 2022

Salesperson: Pat Freer
pat@signpro-usa.com
860.919.6171

Designer: KRC

DRAWINGS ARE NOT TO SCALE UNLESS OTHERWISE NOTED

SPI Revisions:
Rev1 KRC 06/21/2022

\\192.168.1.17\Jobs\Jobs_A-Z\00C yriousTesting\Estimate\37000\37477 - International Skating Center of CT (10672)

Customer Approval: APPROVED APPROVED AS NOTED REVISE & RESUBMIT

PRINT

SIGN

DATE

© COPYRIGHT 2022, BY SIGN PRO INC. ALL DESIGNS PRESENTED ARE THE SOLE PROPERTY OF SIGN PRO INC. AND MAY NOT BE REPRODUCED IN PART OR WHOLE WITHOUT WRITTEN PERMISSION FROM SIGN PRO INC.



60 Westfield Drive
Plantsville, CT 06479
860.229.1812



SIGN TYPE
Monument

PAGE
5 of 5