



Town of Simsbury

RECEIVED
DEC 21 2022
TOWN OF SIMSBURY
PLANNING DEPARTMENT

Office of Community Planning and Development - Zoning Commission A application

DATE: 12/21/22 FEE: \$ 240.00 CK #: 28609 APP #: 22-42

PROPERTY ADDRESS: 1185 Hopmeadow Street

NAME OF OWNER: Steven Antonio dba 5Ants, LLC

MAILING ADDRESS: 133 Holcomb Street Simsbury, CT 06070

EMAIL ADDRESS: sta1111@aol.com TELEPHONE # 860-214-2792

NAME OF AGENT: _____

MAILING ADDRESS: _____

EMAIL ADDRESS: _____ TELEPHONE # _____

ZONING DISTRICT: B2 LOT AREA: 1.5 Acres SQ FT/ACRES

Does this site have wetlands? YES NO Have you applied for a wetlands permit? YES NO

REQUESTED ACTION (PLEASE CHECK APPROPRIATE BOX):

- ZONE CHANGE:** The applicant hereby requests that said premises be changed from zone _____ to zone _____.
- TEXT AMENDMENT:** Please attach proposed changes, including Sections and purposes.
- SPECIAL EXCEPTION:** The applicant hereby requests a public hearing pursuant to Section _____.
- SITE PLAN APPROVAL:** The applicant hereby requests
 - PRELIMINARY
 - FINAL
 - SITE PLAN AMENDMENT pursuant to Section 11
- SIGN PERMIT**
- OTHER (PLEASE EXPLAIN):** _____

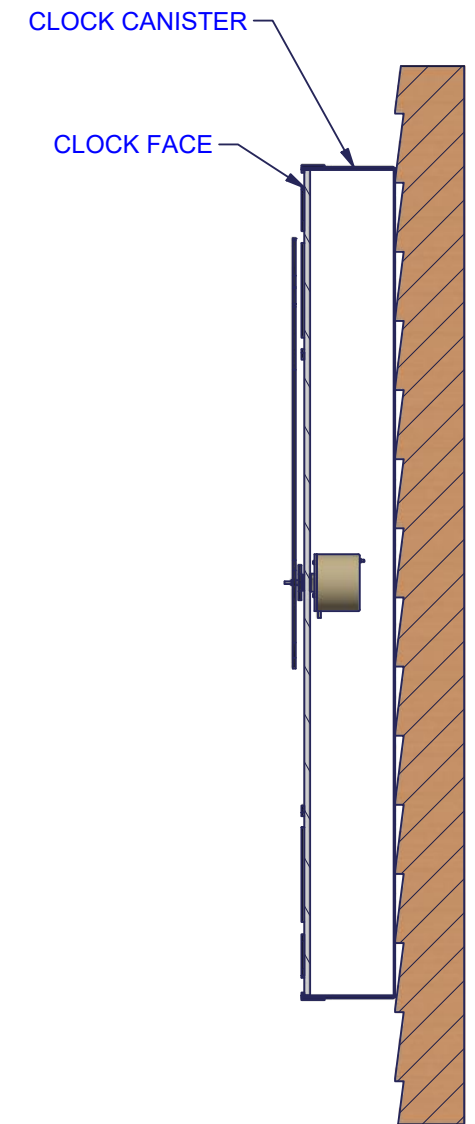
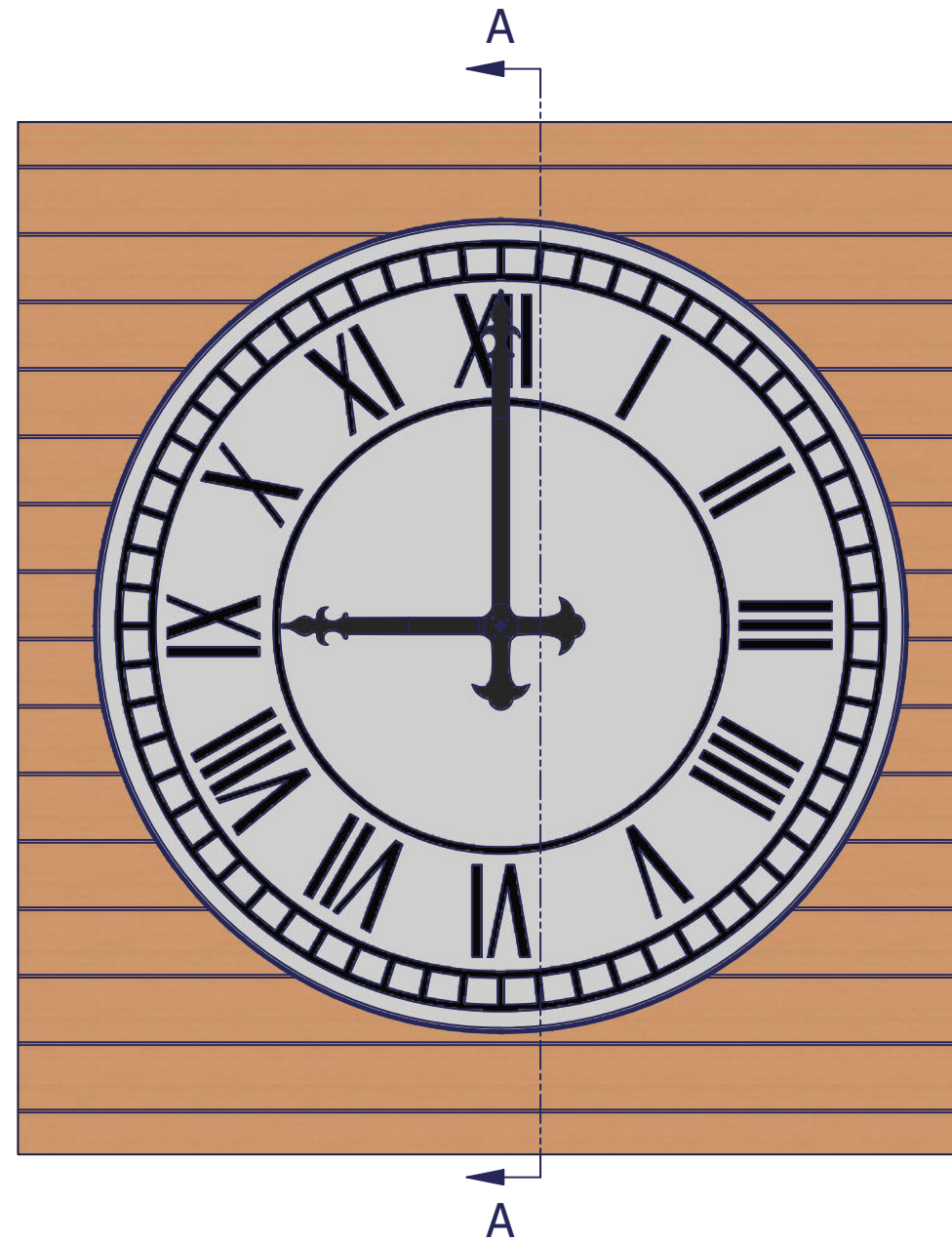
NOTE: Each application must fully comply with the requirements of the Zoning Regulations prior to receipt by the Commission. Each application for zone change and/or special exception shall include a list of names and addresses of abutting property owners and all property owners within 100 feet of the subject site.

A check payable to the Town of Simsbury must accompany this **original signed and dated** application. **Five (5) complete (folded) sets of plans, one (1) paper copy, and a digital copy of the completed application and correspondence** must also be included. If you have a PDF of your plans, we would appreciate a copy of that sent to jhollis@simsbury-ct.gov, as well.

[Signature] 12/21/22 _____
 Signature of Owner Date Signature of Agent Date

EXHIBIT 1

SURFACE MOUNTED CANISTER CLOCK



SECTION A-A

NO.	DATE	BY	REVISION



THIS DRAWING AND ALL MATTERS CONTAINED HEREIN ARE CONFIDENTIAL AND ARE THE PROPERTY OF CHRISTOPH PACCARD AND SHALL NOT BE DISCLOSED TO OTHERS, COPIED, REPRODUCED OR USED IN WHOLE OR IN PART IN ANY MANNER WHATSOEVER EXCEPT WITH THE PRIOR WRITTEN AUTHORIZATION OF CHRISTOPH PACCARD.

CANISTER CLOCK

DATE:	2/25/2020
DRAWN BY:	DREW HAWK
DRAWING:	
SHEET NO.:	1 OF 1

RECEIVED
DEC 21 2022
TOWN OF SIMSBURY
PLANNING DEPARTMENT

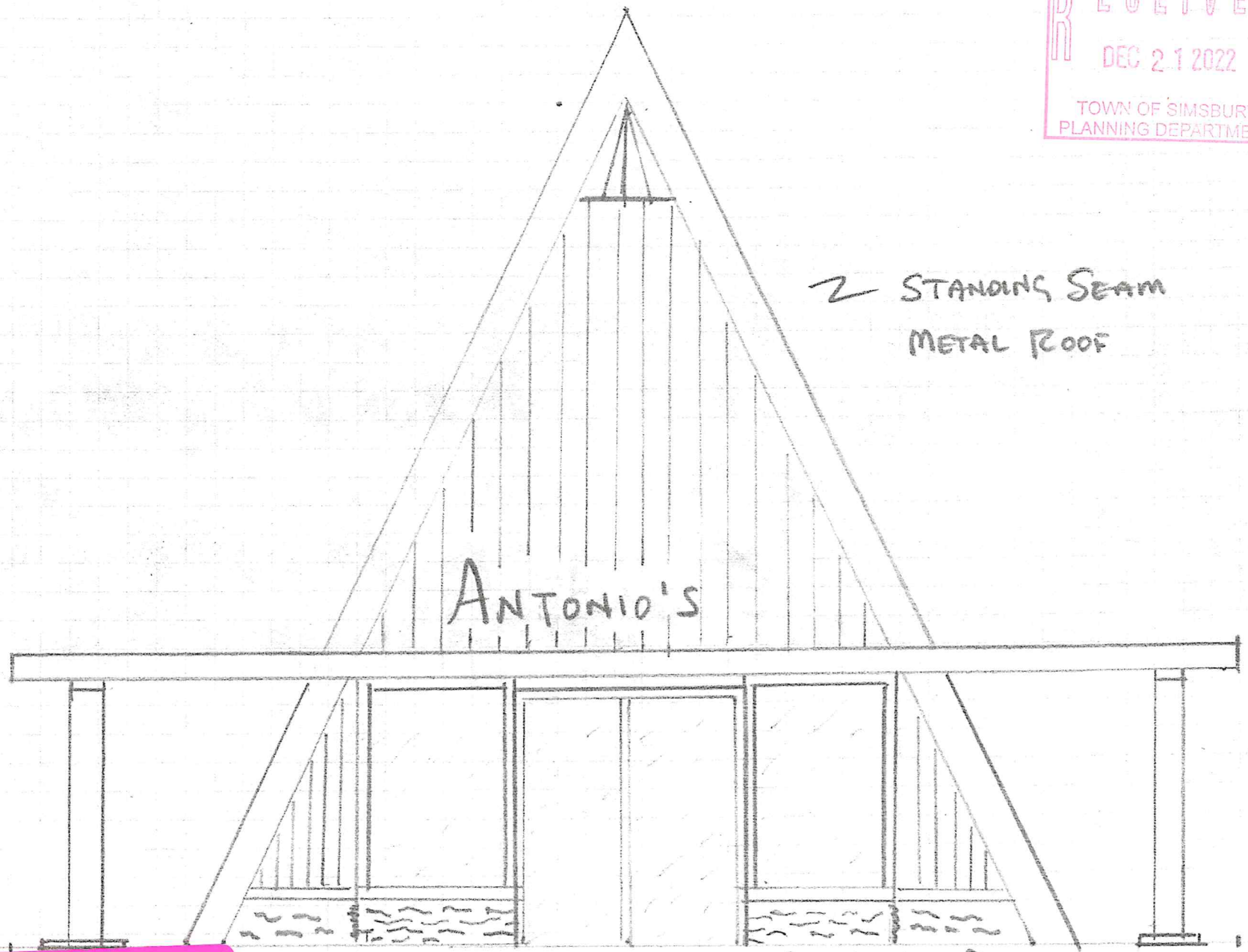
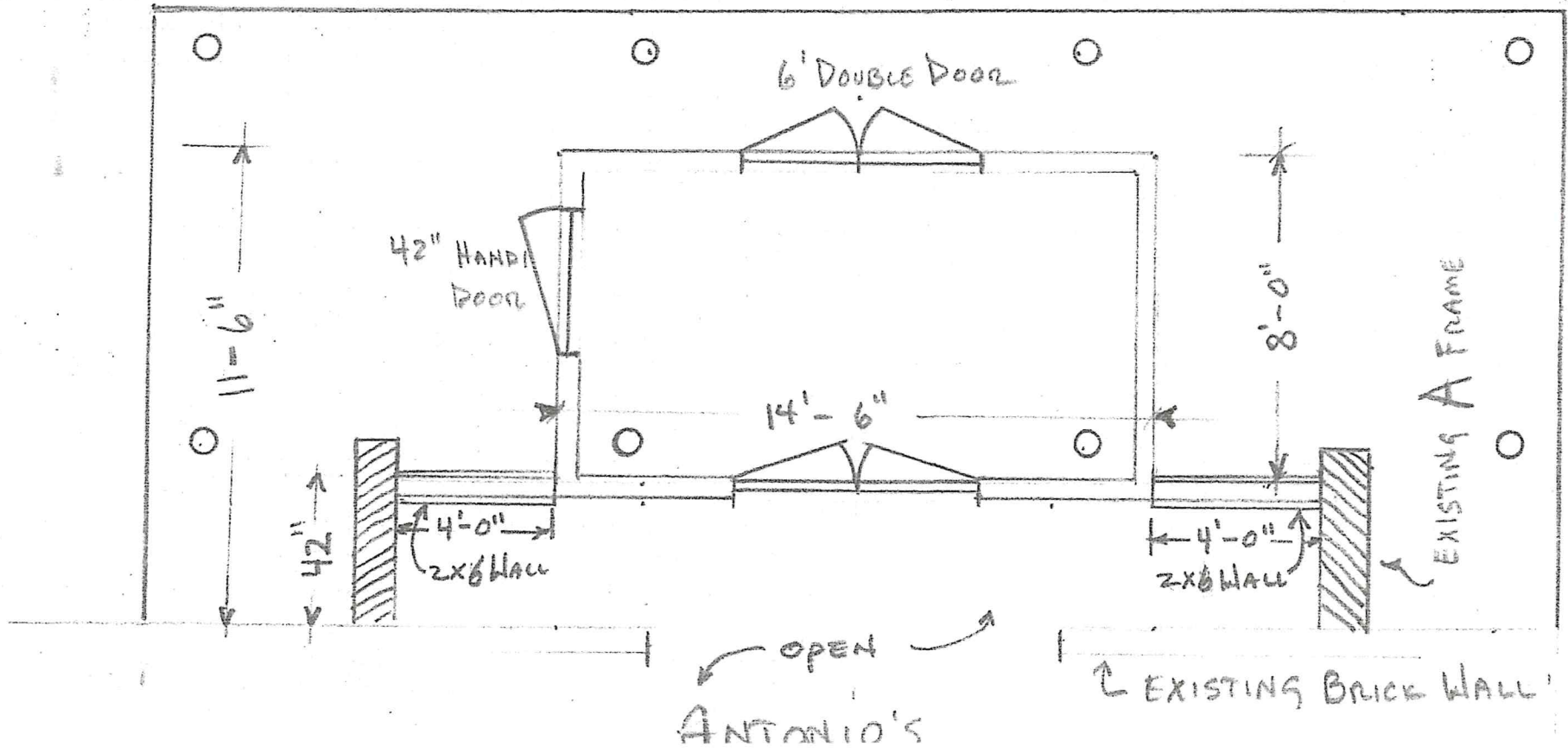
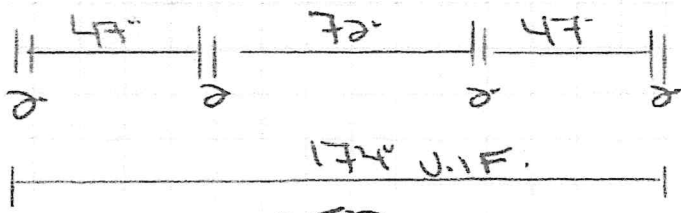
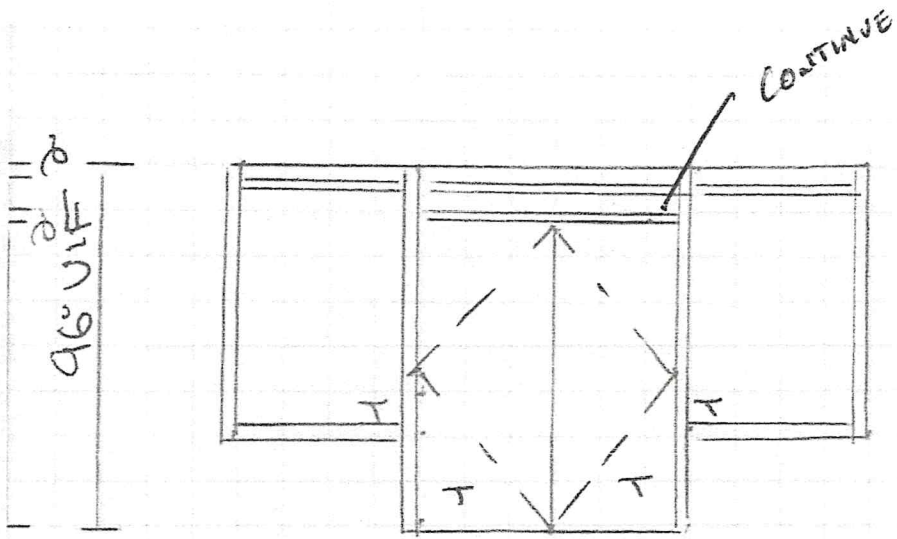


EXHIBIT 4

FAKE
STONE WALL 26 1/2"

PARKING LOT

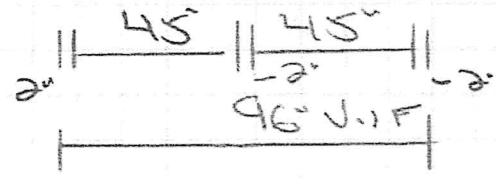
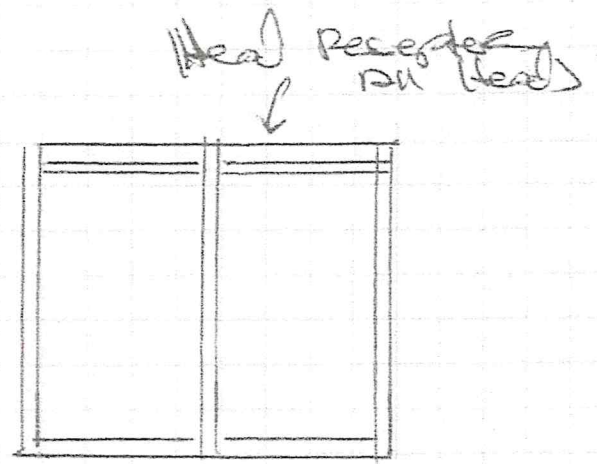
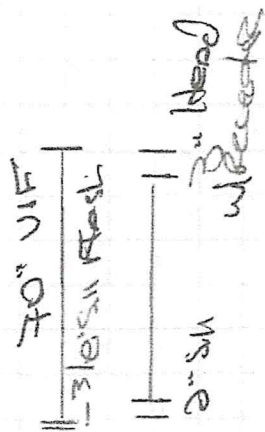




1 RSD

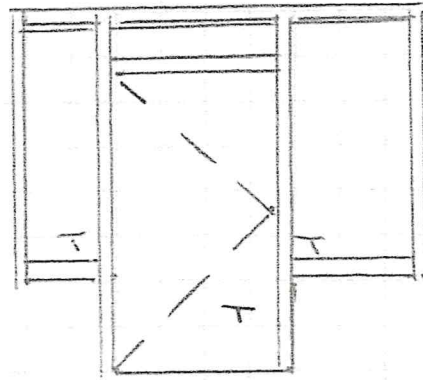
w/Cancelled Rd panic

- Exterior framed
- 122 analyzed Alum
- TRIFAB 451T Center Glazed
- 1" Low-E Glass
- Narrow style caps
- 3 parts
- 10" Pattern Red
- 4.66
- Panic
- RM Panels
- Show red Surfaces checked



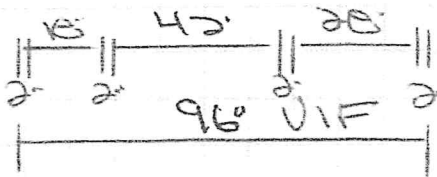
1 RSD

Antonio's

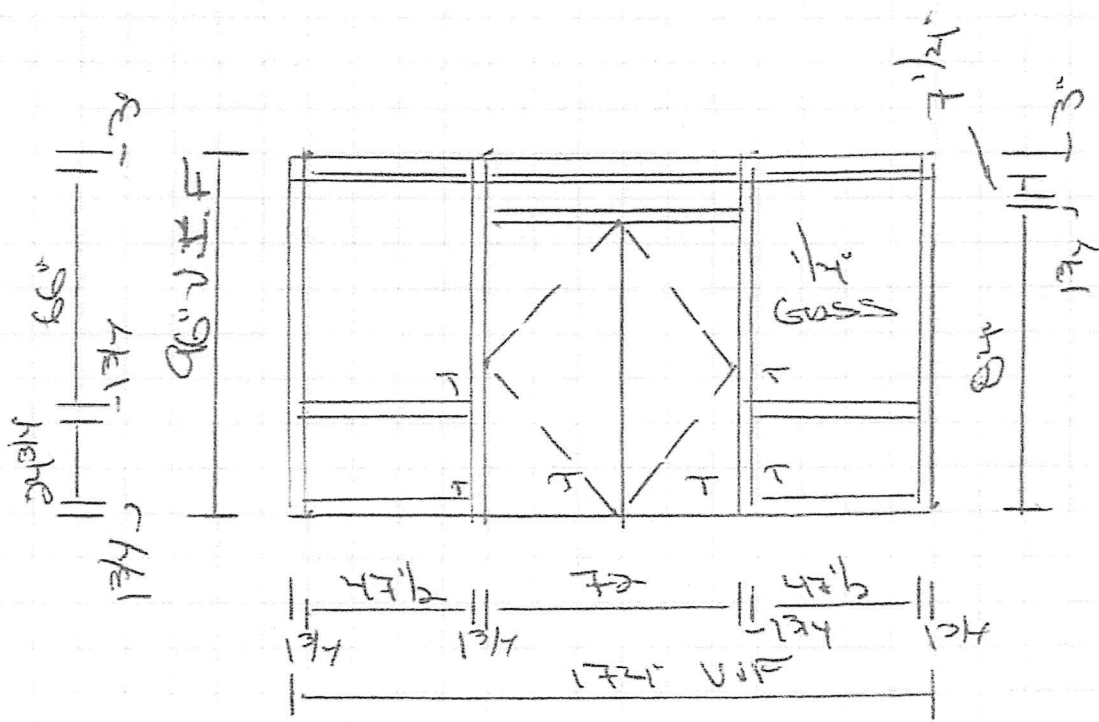


w/ RM panic

1 RSD



OSLI



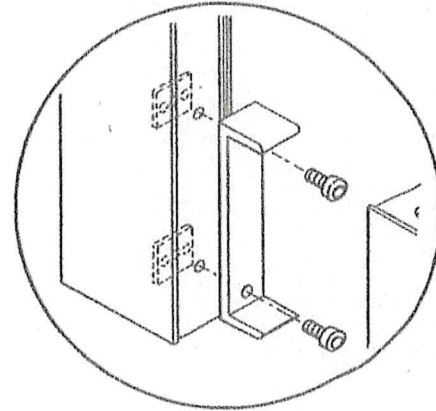
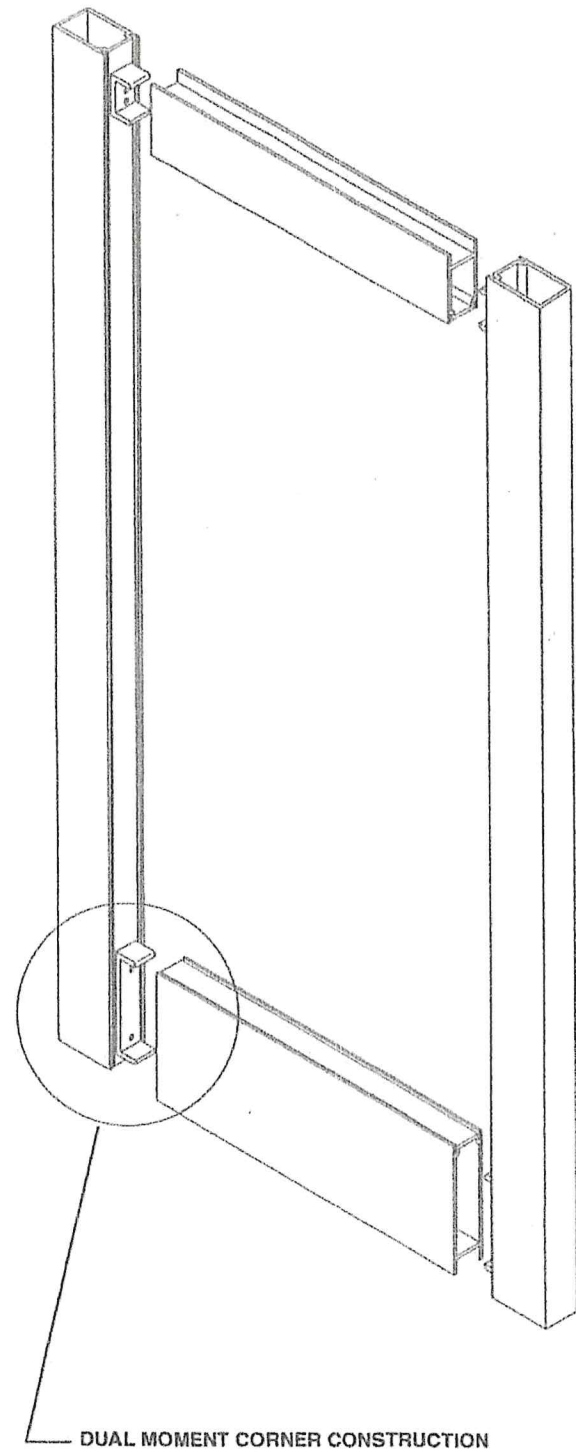
36" HIGHER
 1 1/2"
 1 1/2"
 47 1/2"
 17 1/2"
 15"
 15"
 1 1/2"
 1 1/2"
 1/4" CLEAR TEMPD GLASS
 INSULATION

ALL ROUNDED ALUM
 TRIFAB 450 CENTER GLAZED

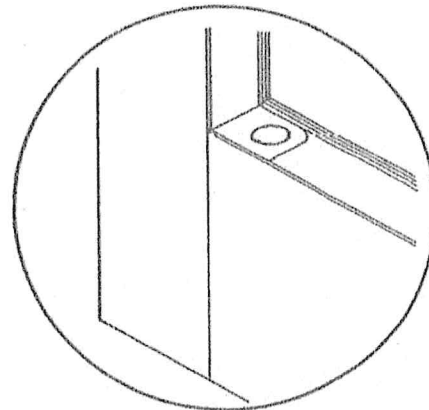
1/4" CLEAR TEMPD GLASS

PIP NO LOCK

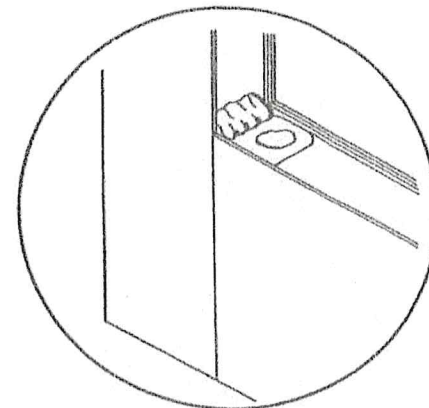
PICTORIAL VIEW



#1 MECHANICAL FASTENING is accomplished by attaching a 5/16" (7.9) thick extruded aluminum channel clip to the vertical stile with 1/4"-20 heat strengthened bolts and 3/16" thick steel nut plates for a high strength welding base for attachment horizontal member.



#2 SIGMA* DEEP PENETRATION PLUG WELDS are made top and bottom after the horizontal is properly positioned over the channel clip to help provide the strongest door corner joint currently available.



#3 SIGMA* FILLET WELDS along both top and bottom webs of the rail extrusion complete the Dual Moment corner construction.

* An arc welding process known as Shielded Inert Gas Metal Arc (SIGMA) or also known as Metal Inert Gas (MIG).

Save and consult the safety codes governing the weight and use of glass in entrances, windows, and curtain wall products vary widely. Kawneer does not control the selection of product configurations, operating hardware, or glazing materials, and assumes no responsibility therefor.

© Kawneer Company, Inc., 2011

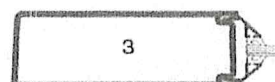
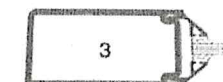
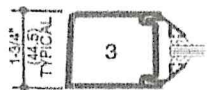
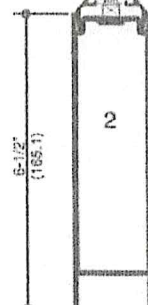
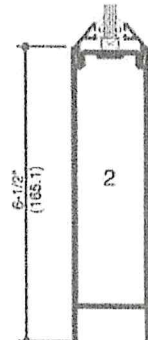
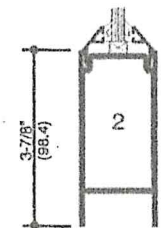
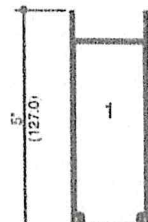
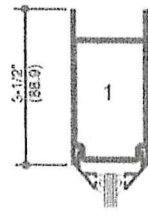
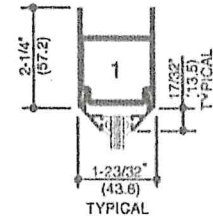
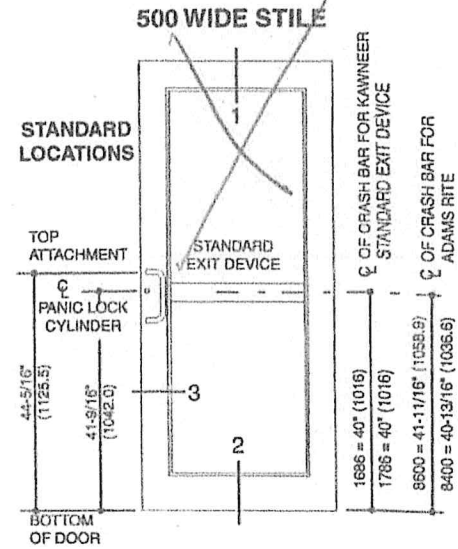
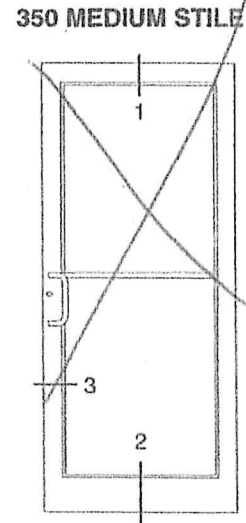
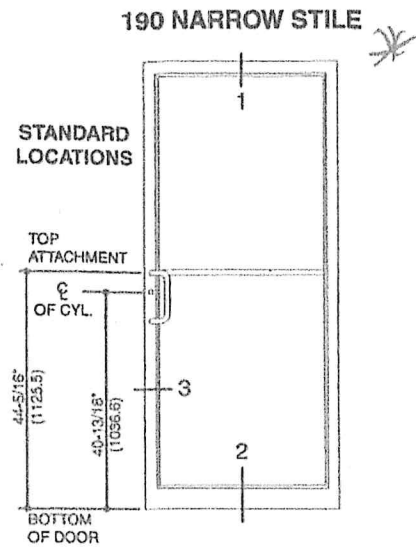
190/350/500 STANDARD ENTRANCES

DOOR TYPES/SECTION DIMENSIONS

FEBRUARY, 2011

EC 97911-27

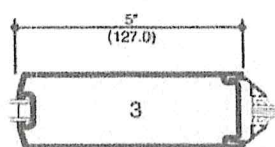
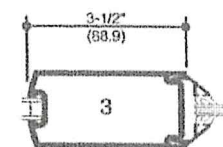
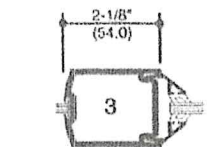
SCALE 3" = 1' 0"



SINGLE ACTING

SINGLE ACTING

SINGLE ACTING



DOUBLE ACTING

DOUBLE ACTING

DOUBLE ACTING

Laws and building and safety codes governing the design and use of glazed entrances, windows, and curtain wall products vary widely. Kawneer does not control this selection of product configurations, operating hardware, or glazing materials.

Kawneer reserves the right to change configuration without prior notice when deemed necessary for product improvement.

© Kawneer Company, Inc. 2011

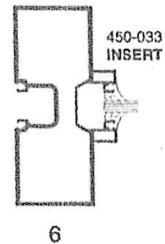
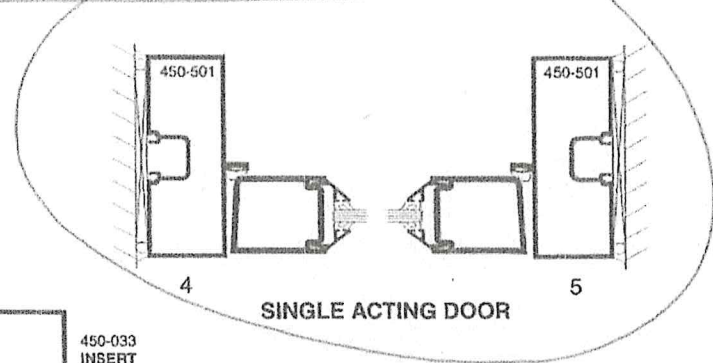
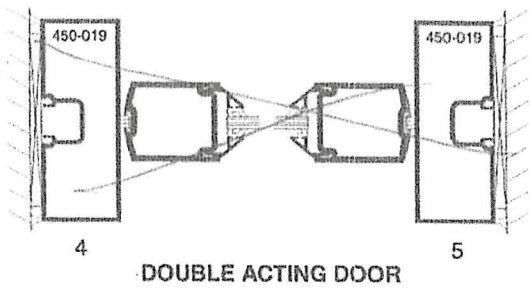
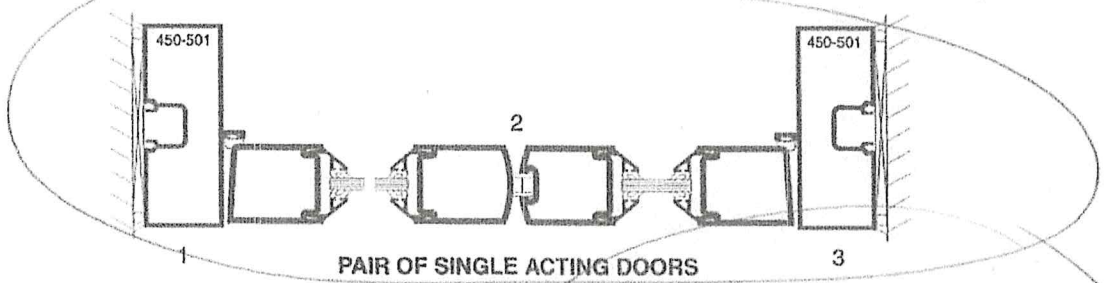
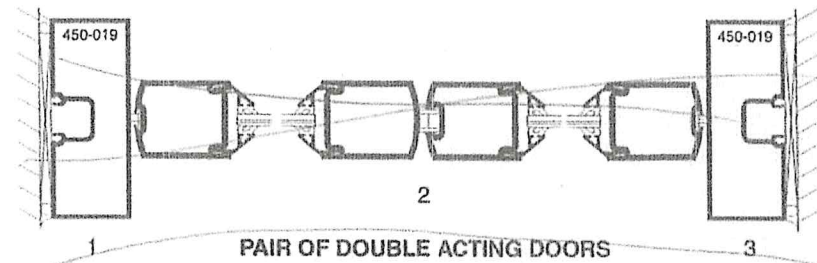
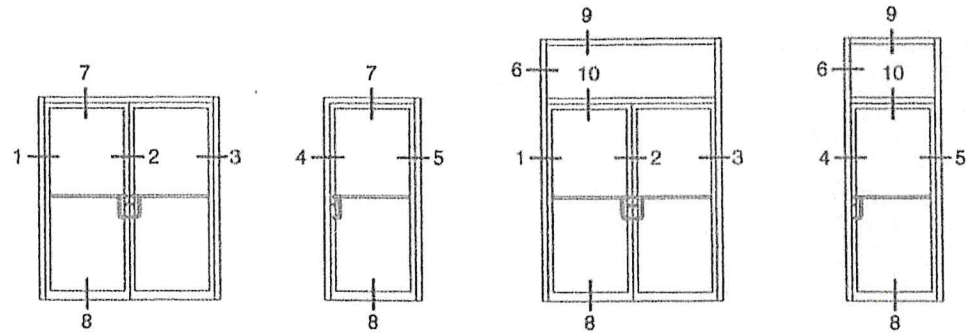
SCALE 3" = 1' 0"

NOTE:

- 1. SERIES 190 NARROW STILE DOORS ARE DETAILED, MEDIUM STILE 350 DOORS AND WIDE STILE 500 DOORS ALSO MAY BE USED.
- 2. TRIFAB® VG 450 CENTER, 1-3/4" X 4-1/2" (44.5 X 114.3) FRAMING IS DETAILED WITH THE DOORS FOR REFERENCE. OTHER KAWNEER FRAMING SERIES OR CURTAIN WALL SYSTEMS MAY BE USED. REFER TO THE CATALOG INDEX FOR THE APPROPRIATE DETAIL SECTION.

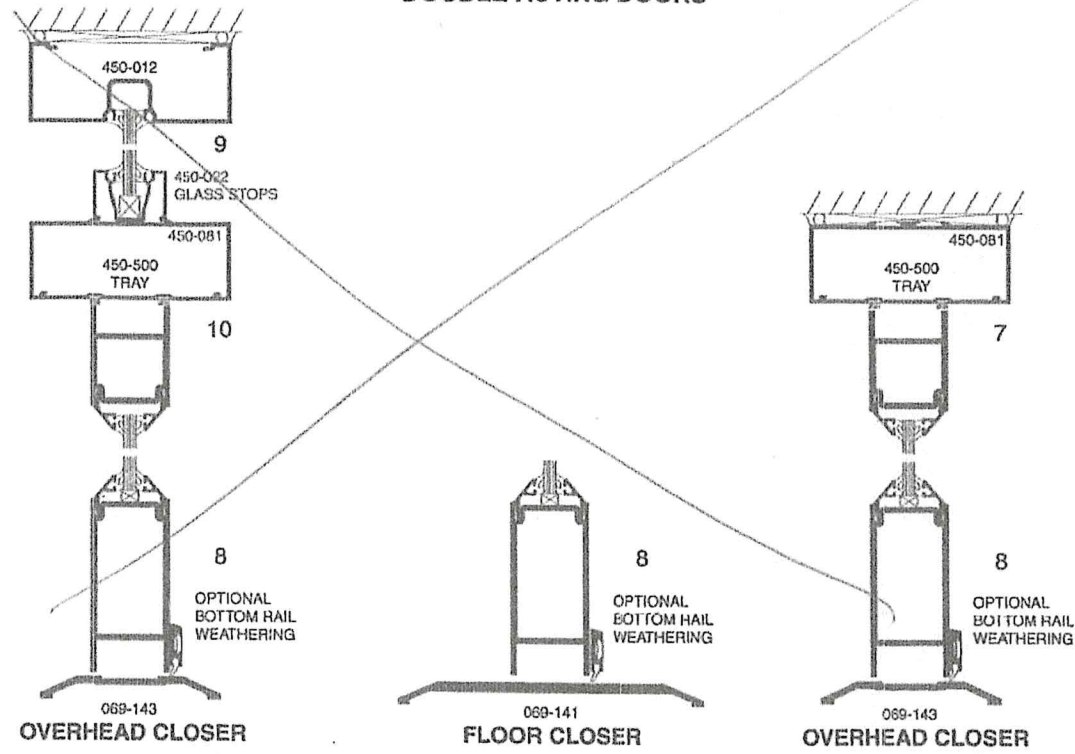
LEAVE AND KAWNEER AND OTHER TRADE NAMES GOVERNING THE DESIGN AND USE OF THESE ENTRANCE, WINDOW, AND CURTAIN WALL PRODUCTS VARY WIDELY. KAWNEER DOES NOT CONTROL THE SELECTION OF PRODUCT CONFIGURATIONS, OPERATING HARDWARE, OR GLAZING MATERIALS, AND ASSUMES NO RESPONSIBILITY THEREFOR.

© Kawneer Company, Inc., 2011
necessary for product improvement.



SCALE 3" = 1' 0"

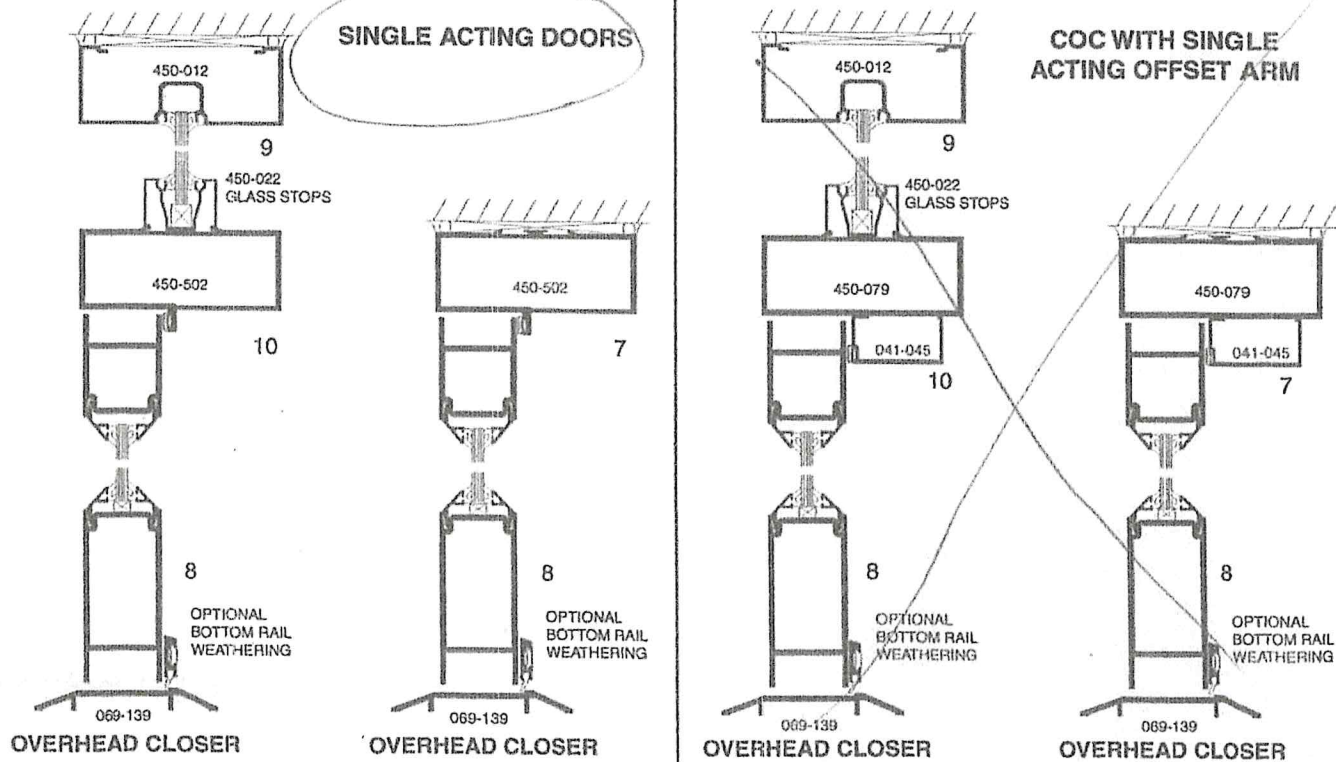
DOUBLE ACTING DOORS



Law and building and safety codes governing the design and use of glazed entrances, windows, and curtain wall products vary widely. Kawneer does not control the selection of product configurations, operating hardware, or glazing materials.

SINGLE ACTING DOORS

COC WITH SINGLE ACTING OFFSET ARM

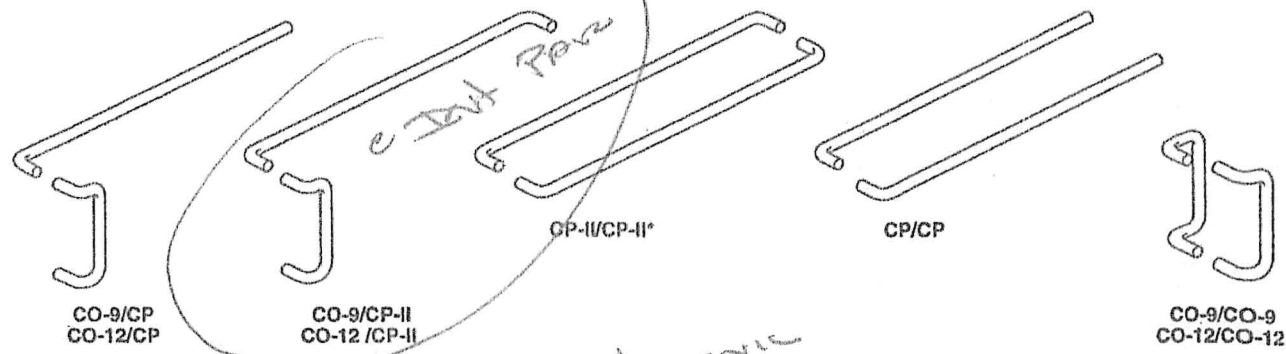


Kawneer reserves the right to change configuration without prior notice when deemed necessary for product improvement.

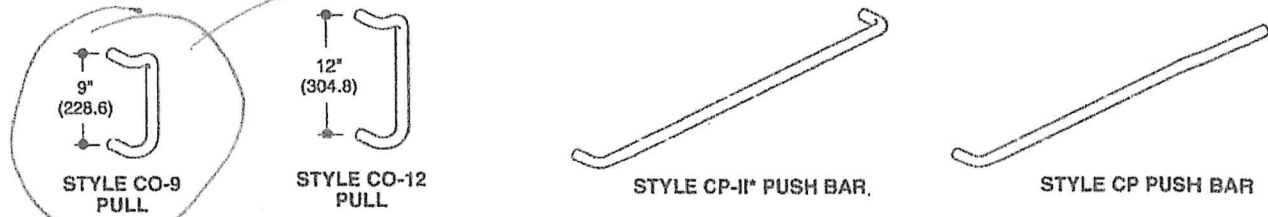
REFER TO HARDWARE SECTION FOR COMPLETE HARDWARE INFORMATION.

ARCHITECTS CLASSIC (PUSH PULL SETS)

SINGLE ACTING DOORS USE A PULL HANDLE AND PUSH BAR AS STANDARD
DOUBLE ACTING DOORS USE CP PUSH BARS BACK TO BACK AS STANDARD.



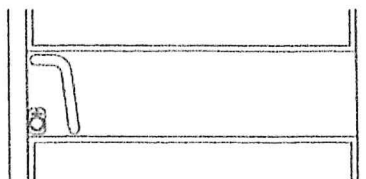
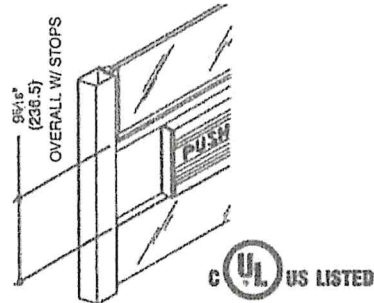
ARCHITECTS CLASSIC (COMPONENTS)



* CP-II PUSH BAR IS NOT TO BE USED FOR BACK TO BACK MOUNTING ON D/A DOORS.

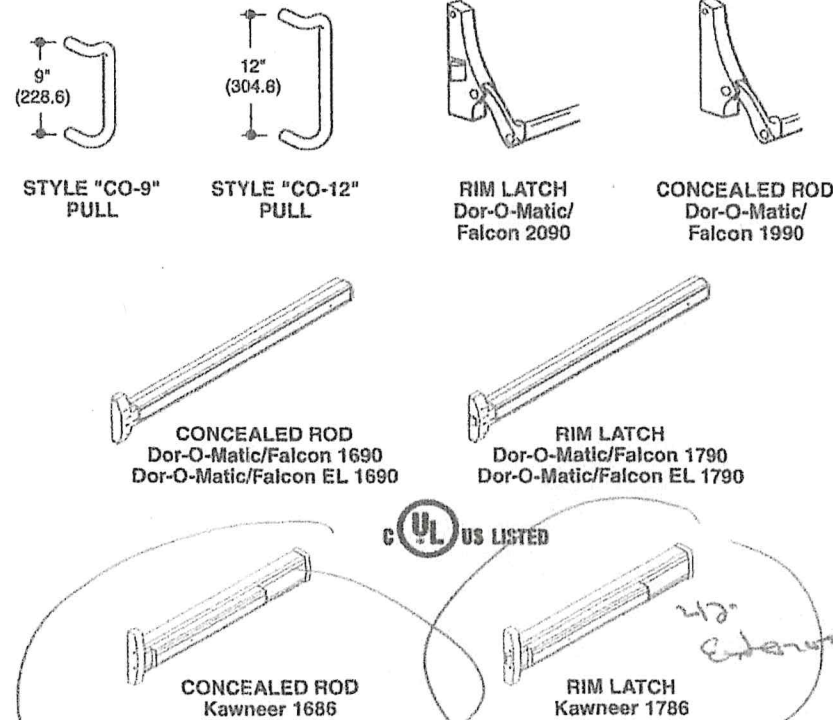
EXIT DEVICES

KAWNEER PANELINE® / PANELINE® EL



EXTERIOR VIEW OF 190 DOOR (350/500 SIMILAR)
"CPN" PULL AND OPTIONAL CYLINDER GUARD SHOWN.
SEE PAGE 13 FOR COMPLETE PANELINE® INFORMATION

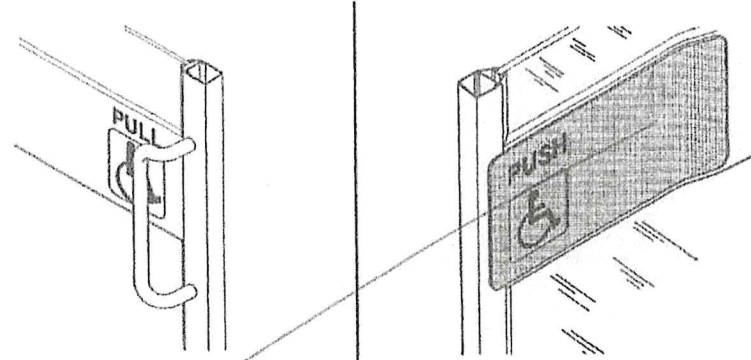
PANICS AND PULLS



Laws and building and safety codes governing the design and use of glazed entrances, windows, and curtain wall products vary widely. Kawneer does not control the selection of product configurations, operating hardware, or glazing materials.

Kawneer reserves the right to change configuration without prior notice when deemed necessary for product improvement.

**PUSH-PULLS
STYLE**



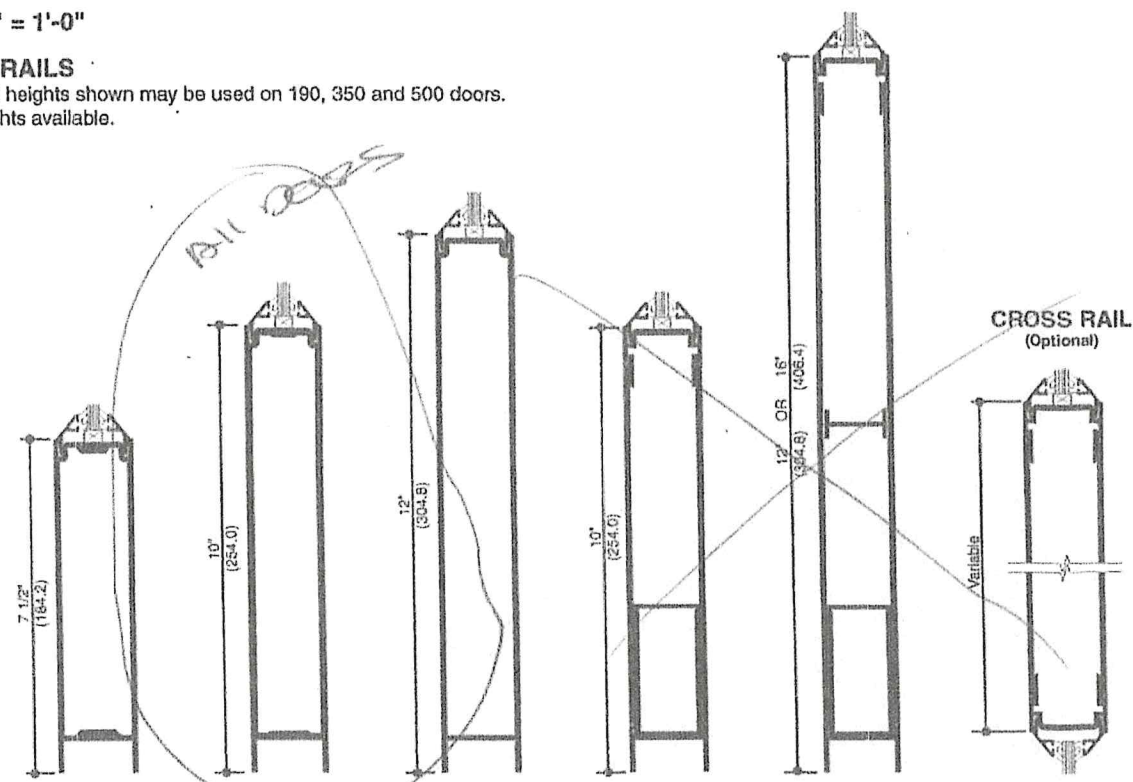
Description	Architects Classic CO-12 Pull	BF3 Push Shield with symbol
Application	Door with or without exit device	Door cross rail (omit w/exit device)
Length/Size	12" OC Pull attachment	15-7/8" x 7-7/8" (403.2 x 200.0) 1/8" (3.2) Thick
Height Location	44-5/16" from Top Mounting Hole to Btm. of Door	
Total Projection	3-1/4" (82.6) Projection	1/8" (3.2)
Material / Finish	See Hardware Section A8	Black Plastic Pebble Finish

Note: The word "Pull" and the symbol of access anodized on the exterior surface of the optional cross rail are standard - black on clear rail, clear on dark bronze or black rail. Anodized letters on push bar accent are clear on black. Letters and symbols on plastic push shield are engraved and filled with white epoxy enamel.

SCALE 3" = 1'-0"

BOTTOM RAILS

Standard rail heights shown may be used on 190, 350 and 500 doors.
Custom heights available.

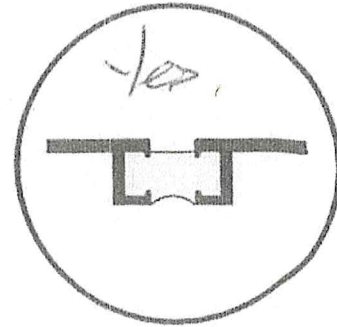
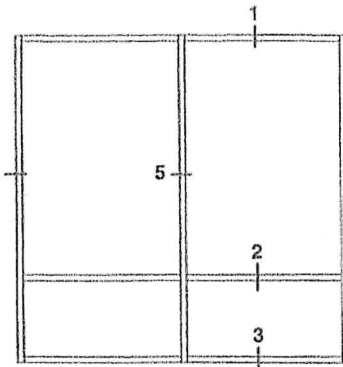


All Doors

Kauneer Company, Inc. reserves the right to change specifications without notice. The user assumes all liability for the use of the products shown in this catalog. Kauneer does not control the selection of product configurations, operating hardware, or glazing materials, and assumes no responsibility therefor. © Kauneer Company, Inc., 2011

SCALE 3" = 1'-0"

External Framing



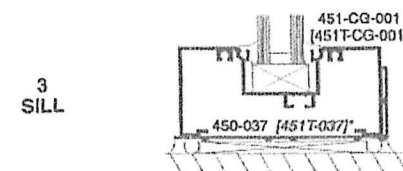
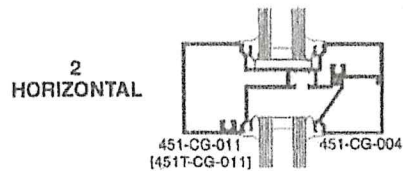
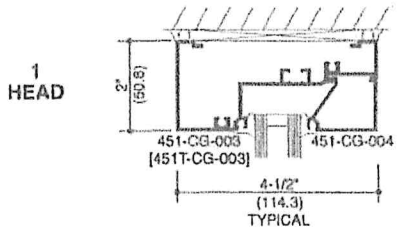
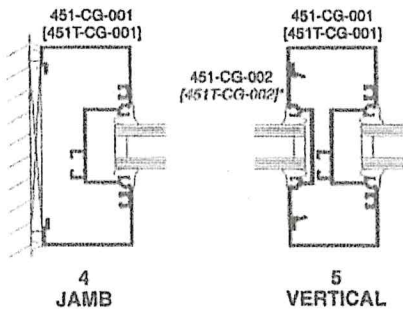
*Note: See Misc. Details for Thermal Pocket Filler and Thermal Flashing

ELEVATION IS NUMBER KEYED TO DETAILS

NUMBERS IN BRACKETS ARE THERMALLY BROKEN MEMBERS

SCREW SPLINE

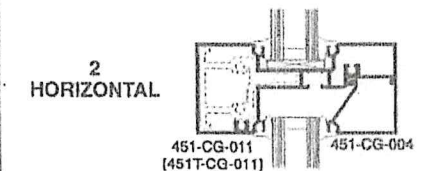
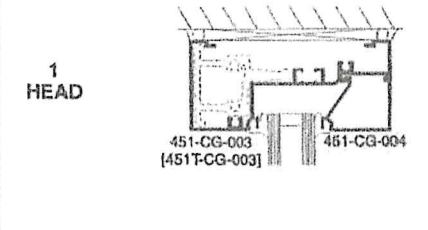
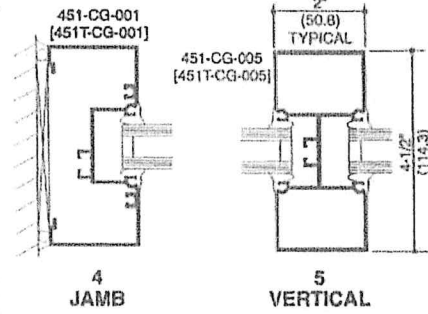
CAD Details (TF451) = TF_VG_451-SS-Center-CAD.zip
(TF451T) = TF_VG_451T-SS-Center-CAD.zip



*See Page 14 for Thermal Flashing and Optional High Performance Flashing

SHEAR BLOCK

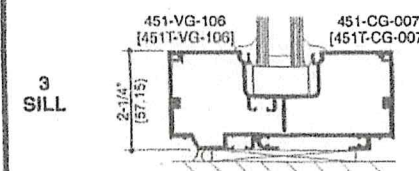
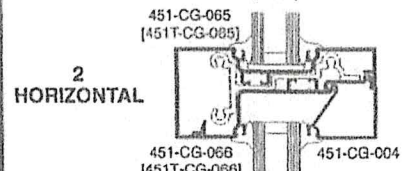
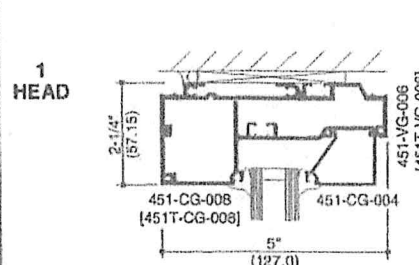
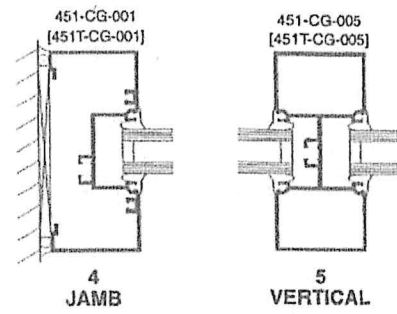
CAD Details (TF451) = TF_VG_451-SB-Center-CAD.zip
(TF451T) = TF_VG_451T-SB-Center-CAD.zip



*See Page 14 for Thermal Flashing and Optional High Performance Flashing

STICK

CAD Details (TF451) = TF_VG_451-Stick-Center-CAD.zip
(TF451T) = TF_VG_451T-Stick-Center-CAD.zip



Latta and Quinlan and safety where governing the design, and use of products in entrance, window, and curtain wall products vary widely. Kawneer does not control the selection of product configurations, operating hardware, or glazing materials, and assumes no responsibility therefor.

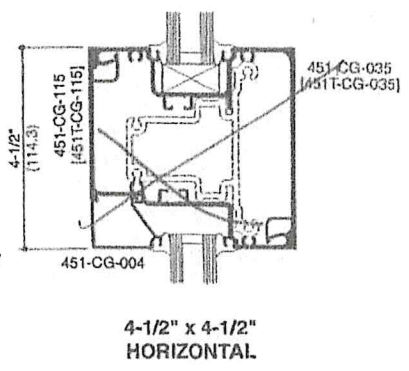
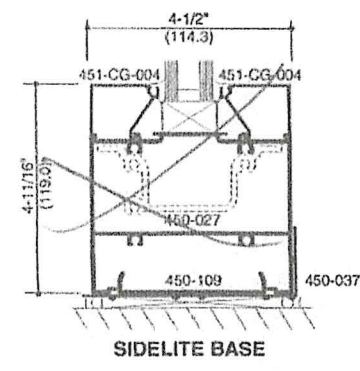
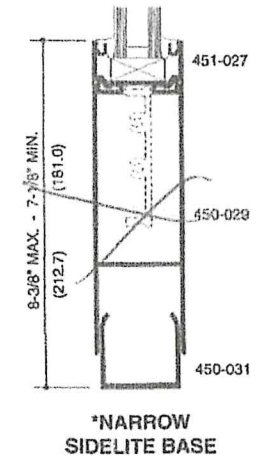
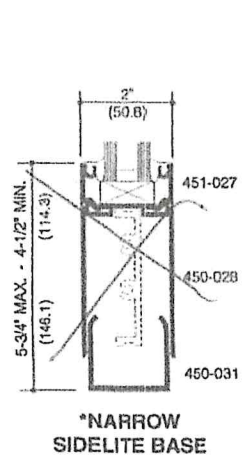
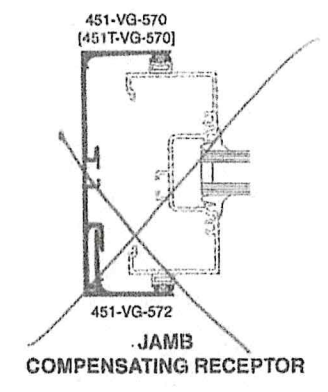
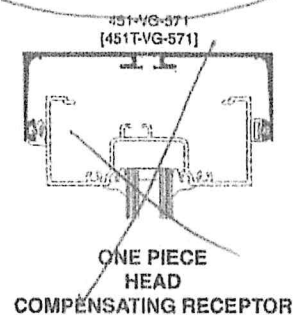
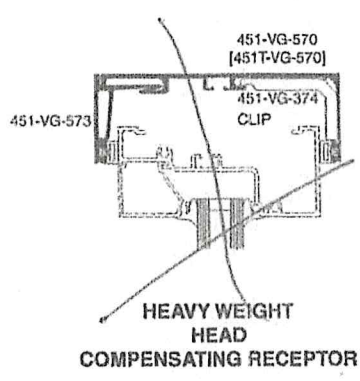
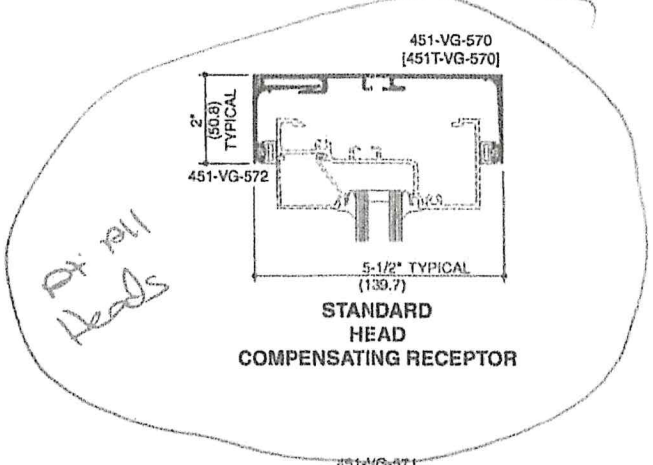
Kawneer reserves the right to change configuration without prior notice when deemed necessary for product improvement.
© Kawneer Company, Inc., 2011

SCALE 3" = 1'-0"

CAD Details - SCREW SPLINE
 (TF451) = TF_VG_451-SS-Center--CAD.zip
 (TF451T) = TF_VG_451T-SS-Center--CAD.zip

CAD Details - SHEAR BLOCK
 (TF451) = TF_VG_451-SB-Center--CAD.zip
 (TF451T) = TF_VG_451T-SB-Center--CAD.zip

CAD Details - STICK
 (TF451) = TF_VG_451-Stick-Center--CAD.zip
 (TF451T) = TF_VG_451T-Stick-Center--CAD.zip



SIDELITE BASES ARE NON-THERMAL APPLICATIONS


*NARROW SIDELITE BASES REQUIRE THE USE OF NON-THERMAL 2-PIECE VERTICALS ONLY.


NOTE: SIDELITE BASES SHOWN ARE FOR USE WITH SCREW SPLINE AND SHEAR BLOCK SYSTEMS ONLY.

Kawneer Company, Inc. reserves the right to change configuration without prior notice when deemed necessary for product improvement.

© Kawneer Company, Inc., 2011

ARCHITECT
PHASE ZERO DESIGN
 EIGHT WILCOX STREET
 SIMSBURY, CONNECTICUT 06070
 PHONE: (860) 264-1824
 FAX: (860) 264-1628
 www.phasezerodesign.com

CLIENT

 ANTONIO'S RESTAURANT
 1185 HOPMEADOW ST
 SIMSBURY, CT 06070

ENGINEER

 RICHARD SZEWCZAK
 SZEWCZAK ASSOCIATES
 200 FISHER DR #2
 AVON, CT 06001

ADDITION & RENOVATIONS
 ANTONIO'S RESTAURANT
 1185 HOPMEADOW ST
 SIMSBURY, CT 06070

REVISIONS

REV	DATE	DESCRIPTION	COMMENTS

SEAL

ISSUED FOR PERMIT
 ISSUED DATE: 6.21.2019
 DRAWN BY: JB
 CHECKED BY: CM
 PROJECT NUMBER: 1518713
Seal and Stamp Required for All State Projects

DRAWING NAME
FLOOR PLAN

DRAWING NO.
AD101

